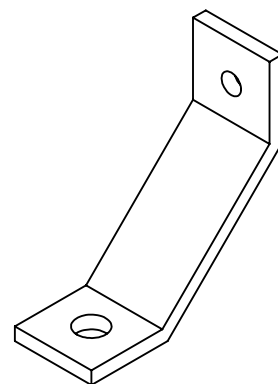
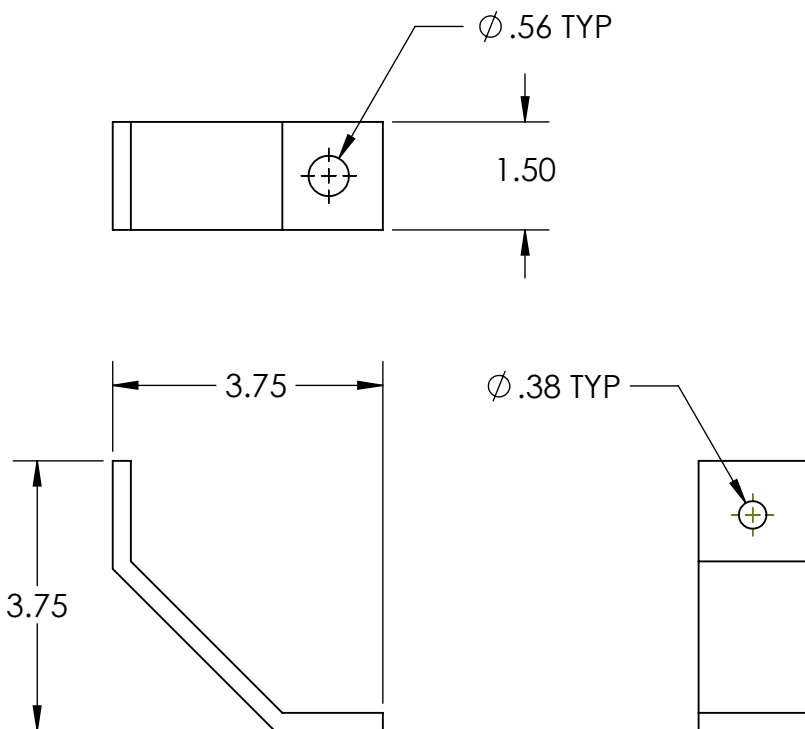




PW Ladder Cable Tray Hold Down Bracket

A833 Series Heavy Duty Hold Down Bracket



PRODUCT NUMBER	FASTENER OPTIONS
A833	GE S6
CATALOG NUMBERING EXAMPLE:	
Material T - A833	Fasteners - S6

Material: Aluminum (A) Finish: None
 Carbon Steel (G) Hot-Dip Galvanized
 316 Stainless Steel (T) None

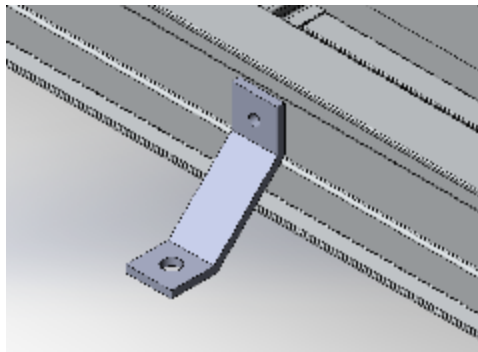
3/8" diameter hardware
 for tray attachment only
 is included
 (2) A833 BRACKET
 (2) 3/8 X 3/4 Truss Head bolt
 (2) 3/8 Flanged Hex Nut

SOLD IN PAIRS

Fastener Option: Stainless Steel (S6)
 Geomet Plated Steel (GE)

"Copyright LNA, Inc. Drawings are proprietary
 and may not be copied or otherwise duplicated
 or used without express written permission."

CABCS1196



Legrand
 8319 State Rt. 4
 Mascoutah, IL 62258 USA
 800-658-4641
 618-566-3250
 Fax 618-566-4978
www.legrand.us/cablofil