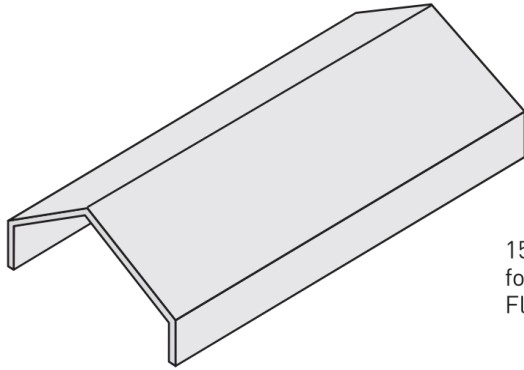




PW Ladder Cable Tray Covers

Solid Peaked - Flanged STRAIGHT SECTION COVERS



15° is standard angle
for peaked covers.
Flange is 3/8" wide.

PEAKED 15°, FLANGED

FLANGE IN	1 ³ / ₄ " FLANGE OUT

SOLID, PEAKED 15° — FLANGED PRODUCT NUMBER

M	2140	2114
G	1140	1114
L	3128	3131
T	3017	3040

COVER CATALOG NUMBERING EXAMPLE:

COVER SYSTEM NO.	LENGTH OR FITTING PRODUCT NO.
3131	-0012-36
	<div style="display: flex; justify-content: space-around; width: 100%;"> <div style="text-align: center;"> <small>↓</small> LENGTH <small>0006** - 6'</small> <small>0010 - 10'</small> <small>0012 - 12'</small> </div> <div style="text-align: center;"> <small>↓</small> WIDTH </div> </div>

Cover Thickness:

G	18 Ga.
M L T	20 Ga.

** Standard length for steel covers hot-dip galvanized after fabrication per ASTM A-123 is 6'-0".

WIDTHS (W) INCHES

6 | 9 | 12 | 18 | 24 | 30 | 36

- **Material:**
 - Mill Galvanized (M)
 - Hot-Dipped Galvanized (G)
 - 304L Stainless Steel (L)
 - 316L Stainless Steel (T)
- **Length (L):** available in: 6', 10' & 12'