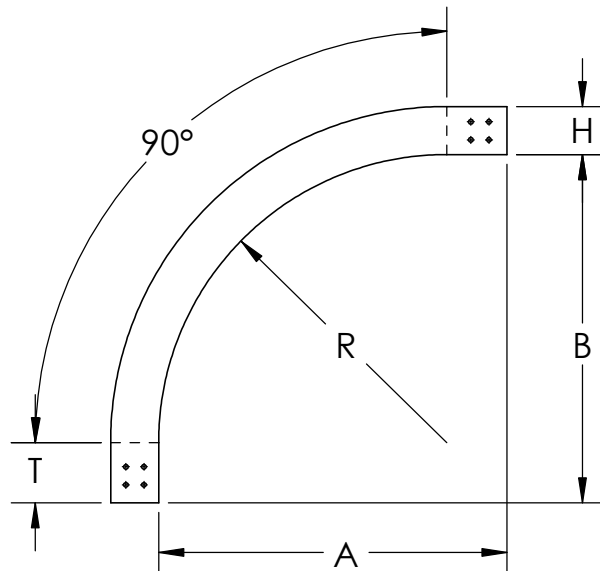
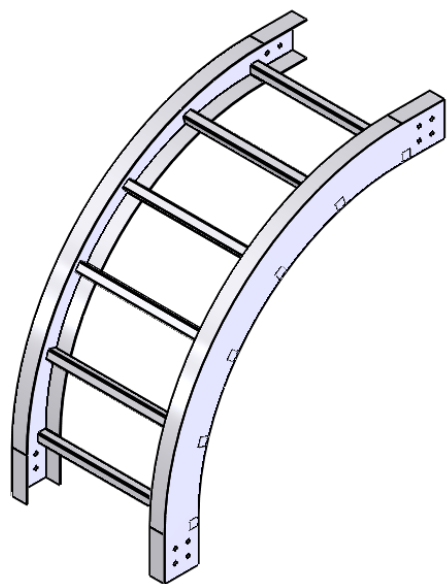




# PW Steel Ladder Cable Tray Vertical Fitting

## 90VO Vertical Outside 90° Elbow



**MATERIAL:** STEEL/STAINLESS STEEL

**FINISH SUFFIX:**

**G:** HOT DIP GALVANIZED STEEL PER ASTM A123

**L:** 304 STAINLESS STEEL PER ASTM A-240

**T:** 316 STAINLESS STEEL PER ASTM A-240

**BOTTOM:** LD - LADDER

VC - VENTED CORRUGATED

SC - SOLID CORRUGATED

SF - SOLID FLAT BOTTOM

**Construction:** Welded

**Tray Design:** Tray constructed and markings are per the latest addition of NEMA Standards Publication VE1, CSA C22.2 No. 126

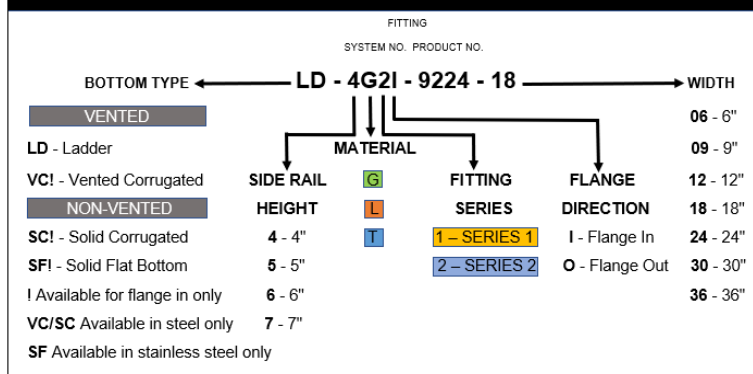
**Connectors:** All fittings are supplied with necessary connectors and fasteners

**Fitting Heights (H):** 4", 5", 6", 7"

**Tangents:** Series 1 fittings have a 2" tangent  
Series 2 fittings have a 5" tangent

RAIL HEIGHT (IN.) >		4, 5, 6, 7			
PRODUCT NUMBER	RADIUS (IN.)	SERIES 1		SERIES 2	
		A	B	A	B
9212	12"	14	14	17	17
9224	24"	26	26	29	29
9236	36"	38	38	41	41

### VERTICAL OUTSIDE CATALOG NUMBERING EXAMPLE



"Copyright LNA, Inc. Drawings are proprietary and may not be copied or otherwise duplicated or used without express written permission."

CABCS1511

Legrand  
8319 State Rt. 4  
Mascoutah, IL 62258 USA  
800-658-4641  
618-566-3250  
Fax 618-566-4978  
www.legrand.us/cablofil