

AISI Type 316L



**GENERAL INFORMATION**

- NEMA TRAY TYPE:** Two Rail Ladder
- NEMA CLASS:** 12B
- MATERIAL:** AISI Type 316L Stainless Steel
- SIDE RAIL:** 6" high with 1" top flange
- LOAD DEPTH:** 5"
- BOTTOM:** 1 1/4" wide hat rung
- FINISH:** Plain
- CONSTRUCTION:** Resistance welded
- TRAY SERIES:** Series 1 (2" tangent)

**ENGINEERING INFORMATION**

- TRAY DESIGN:** Construction and markings are per the latest edition of NEMA Standards Pub. VE1.
- TRAY GROUNDING CAPABILITY:** None. The N.E.C. does not recognize stainless steel cable tray as an equipment ground conductor.
- CONNECTORS:** Supplied in pairs with hardware. Splice resistance is less than 0.00033 ohms. Standard hardware: 3/8 in. type 316 stainless steel.
- MECHANICAL PROPERTIES:** One rail:  $I_{x-x} = 1.7047in^3$   $S_{x-x} = 0.6234in^4$

TRAY WIDTH (IN.)	TRAY WEIGHT* (LBS./FT.)
6	3.14
9	3.31
12	3.48
18	3.82
24	4.16
30	5.02
36	5.47

\*Based on 9" rung spacing

SAFE LOAD DATA (LBS./FT.) / SUPPORT SPAN (FT.) / DEFLECTION (IN.)												
6	8	10	12	14	16	18	20	22	24	26	28	30
300	0.11	169	0.20	108	0.31	75	0.45					

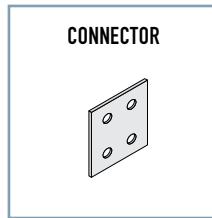
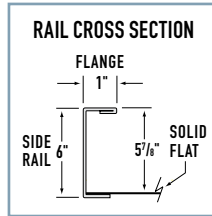
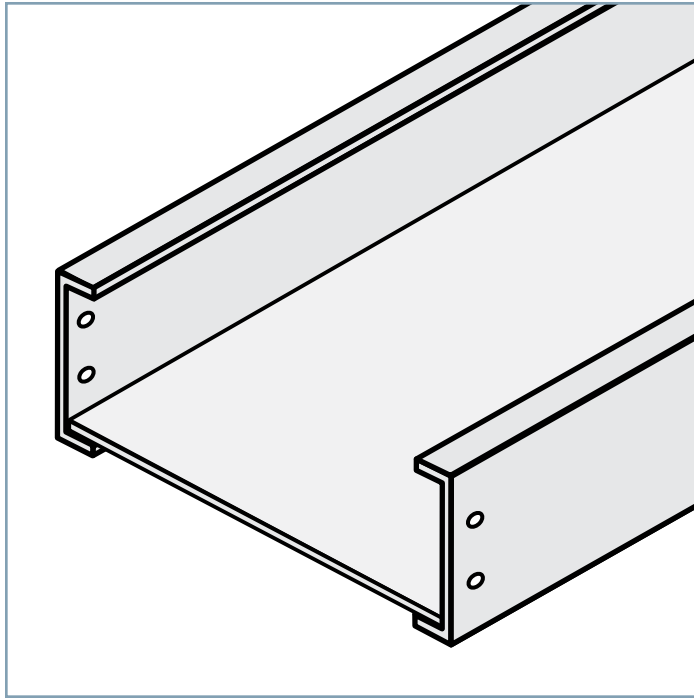
**CATALOG NUMBERING EXAMPLE:**

**09 - 3620 - 0012 - 36**

<p><b>Bottom Type</b></p> <ul style="list-style-type: none"> <li>06 - 6" Rung Spacing</li> <li>09 - 9" Rung Spacing*</li> <li>12 - 12" Rung Spacing</li> <li>18 - 18" Rung Spacing</li> </ul> <p>* Standard rung spacing</p>	<p><b>Tray System Number</b></p>	<p><b>Length</b></p> <ul style="list-style-type: none"> <li>0010 - 10'-0"</li> <li>0012* - 12'-0"</li> <li>0020 - 20'-0"</li> <li>0024 - 24'-0"</li> </ul> <p>* Standard for Series 1</p>	<p><b>Width</b></p> <ul style="list-style-type: none"> <li>06 - 6"</li> <li>09 - 9"</li> <li>12 - 12"</li> <li>18 - 18"</li> <li>24 - 24"</li> <li>30 - 30"</li> <li>36 - 36"</li> </ul>
--	----------------------------------	---	--

**Legrand/Cablofil**  
 Phone 800-658-4641  
 618-566-3230  
 Fax 618-566-3250  
 8319 State Route 4  
 Mascoutah, IL 62258 USA

Publication Date: 3/10  
 Copyright © 2010 Legrand/Cablofil



AISI Type 316L



**GENERAL INFORMATION**

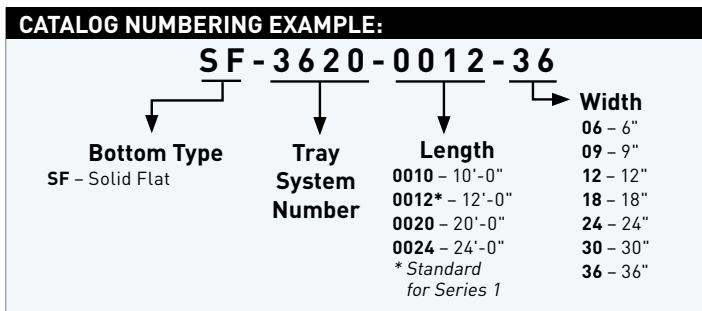
- NEMA TRAY TYPE:** Solid Flat
- NEMA CLASS:** 12B
- MATERIAL:** AISI Type 316L Stainless Steel
- SIDE RAIL:** 6" high with 1" top flange
- LOAD DEPTH:** 5"
- BOTTOM:** Solid Flat
- FINISH:** Plain
- CONSTRUCTION:** Arc welded
- TRAY SERIES:** Series 1 (2" tangent)

**ENGINEERING INFORMATION**

- TRAY DESIGN:** Construction and markings are per the latest edition of NEMA Standards Pub. VE1.
- TRAY GROUNDING CAPABILITY:** None. The N.E.C. does not recognize stainless steel cable tray as an equipment ground conductor.
- CONNECTORS:** Supplied in pairs with hardware. Splice resistance is less than 0.00033 ohms. Standard hardware: 3/8 in. type 316 stainless steel.
- MECHANICAL PROPERTIES:** One rail:  $I_{x-x} = 1.7047in^3$   $S_{x-x} = 0.6234in^4$

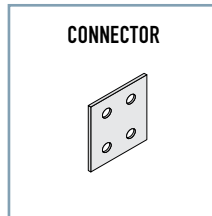
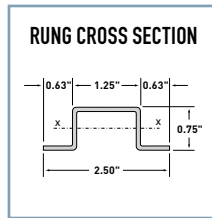
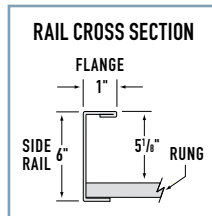
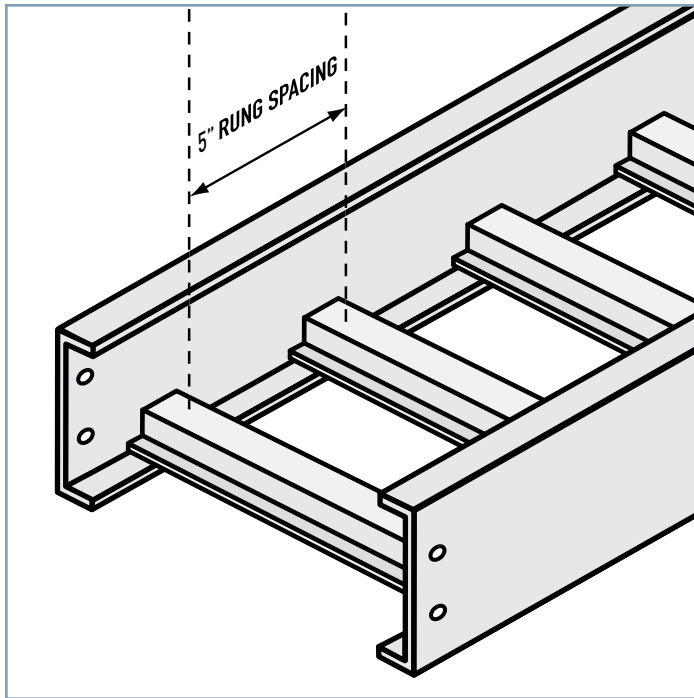
TRAY WIDTH (IN.)	TRAY WEIGHT (LBS./FT.)
6	3.81
9	4.31
12	4.82
18	5.83
24	6.84
30	7.84
36	9.10

SAFE LOAD DATA (LBS./FT.) / SUPPORT SPAN (FT.) / DEFLECTION (IN.)												
6	8	10	12	14	16	18	20	22	24	26	28	30
300	0.11	169	0.20	108	0.31	75	0.45					



**Legrand/Cablofil**  
 Phone 800-658-4641  
 618-566-3230  
 Fax 618-566-3250  
 8319 State Route 4  
 Mascoutah, IL 62258 USA

Publication Date: 3/10  
 Copyright © 2010 Legrand/Cablofil



AISI Type 316L



**GENERAL INFORMATION**

- NEMA TRAY TYPE:** Ventilated/Trough
- NEMA CLASS:** 12B
- MATERIAL:** AISI Type 316L Stainless Steel
- SIDE RAIL:** 6" high with 1" top flange
- LOAD DEPTH:** 5"
- BOTTOM:** 1 1/4" wide hat rung
- FINISH:** Plain
- CONSTRUCTION:** Resistance welded
- TRAY SERIES:** Series 1 (2" tangent)

**ENGINEERING INFORMATION**

- TRAY DESIGN:** Construction and markings are per the latest edition of NEMA Standards Pub. VE1.
- TRAY GROUNDING CAPABILITY:** None. The N.E.C. does not recognize stainless steel cable tray as an equipment ground conductor.
- CONNECTORS:** Supplied in pairs with hardware. Splice resistance is less than 0.00033 ohms. Standard hardware: 3/8 in. type 316 stainless steel.
- MECHANICAL PROPERTIES:** One rail:  $I_{x-x} = 1.7047in^3$   $S_{x-x} = 0.6234in^4$

TRAY WIDTH (IN.)	TRAY WEIGHT (LBS./FT.)
6	3.42
9	3.73
12	4.04
18	4.66
24	5.28
30	6.83
36	7.64

SAFE LOAD DATA (LBS./FT.) / SUPPORT SPAN (FT.) / DEFLECTION (IN.)												
6	8	10	12	14	16	18	20	22	24	26	28	30
300	0.11	169	0.20	108	0.31	75	0.45					

**CATALOG NUMBERING EXAMPLE:**

**VT - 3620 - 0012 - 36**

<p><b>Bottom Type</b> VT - Ventilated/Trough</p>	<p><b>Tray System Number</b></p>	<p><b>Length</b> 0010 - 10'-0" 0012* - 12'-0" 0020 - 20'-0" 0024 - 24'-0" <small>* Standard for Series 1</small></p>	<p><b>Width</b> 06 - 6" 09 - 9" 12 - 12" 18 - 18" 24 - 24" 30 - 30" 36 - 36"</p>
--	----------------------------------	--	--

**Legrand/Cablofil**  
 Phone 800-658-4641  
 618-566-3230  
 Fax 618-566-3250  
 8319 State Route 4  
 Mascoutah, IL 62258 USA

Publication Date: 3/10  
 Copyright © 2010 Legrand/Cablofil