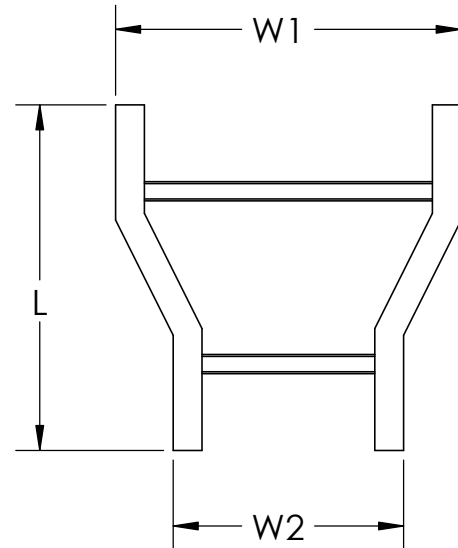
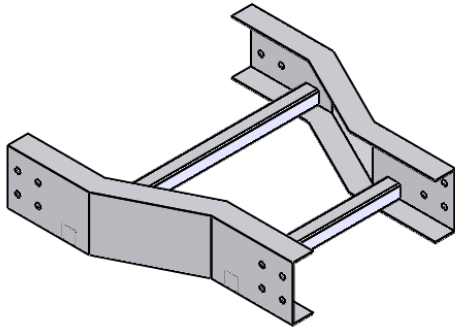




PW Steel Ladder Cable Tray Horizontal Fitting

REDUCER Horizontal Straight Reducer



HORIZONTAL REDUCER CATALOG NUMBERING EXAMPLE				
FITTING				
SYSTEM NO. PRODUCT NO.				
BOTTOM TYPE	LD - 4G2I - 0118 - 12			WIDTH
VENTED				06 - 6"
LD - Ladder				09 - 9"
VC! - Vented Corrugated				12 - 12"
NON-VENTED				18 - 18"
SC! - Solid Corrugated				24 - 24"
SF! - Solid Flat Bottom				30 - 30"
! Available for flange in only				36 - 36"
VC/SC Available in steel only				
SF! Available in stainless steel only				

MATERIAL				
SIDE RAIL	HEIGHT	SERIES	FLANGE DIRECTION	
G	L	1 - SERIES 1	I - Flange In	
T		2 - SERIES 2	O - Flange Out	

MATERIAL: STEEL/STAINLESS STEEL

FINISH SUFFIX:

G: HOT DIP GALVANIZED STEEL PER ASTM A123

L: 304 STAINLESS STEEL PER ASTM A-240

T: 316 STAINLESS STEEL PER ASTM A-240

BOTTOM: LD - LADDER

VC - VENTED CORRUGATED

SC - SOLID CORRUGATED

SF - SOLID FLAT BOTTOM

Construction: Welded

Tray Design: Tray constructed and markings are per the latest addition of NEMA Standards Publication VE1, CSA C22.2 No. 126

Connectors: All fittings are supplied with necessary connectors and fasteners

Fitting Heights (H): 4", 5", 6", 7"

Fitting Length: L=12" for Series 1 fittings
L=18" for Series 2 fittings

MAIN WIDTH (IN.) W1	BRANCH WIDTH (IN.) W2	STRAIGHT
9	6	0109
	9	0112
12	6	0118
	9	0118
	12	0118
18	6	0124
	9	0124
	12	0124
	18	0124
24	6	0130
	9	0130
	12	0130
	18	0130
	24	0130
30	6	0136
	9	0136
	12	0136
	18	0136
	24	0136
	30	0136

"Copyright LNA, Inc. Drawings are proprietary and may not be copied or otherwise duplicated or used without express written permission."

CABCS1514

Legrand
8319 State Rt. 4
Mascoutah, IL 62258 USA
800-658-4641
618-566-3250
Fax 618-566-4978
www.legrand.us/cablofil