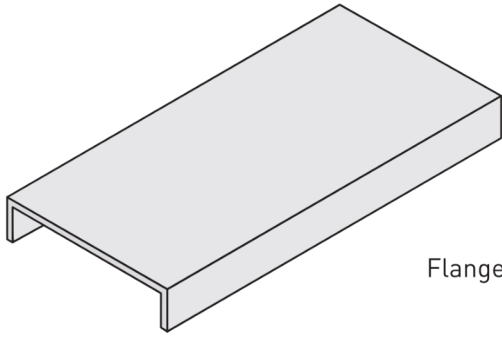






PW Ladder Cable Tray Covers

Solid Flat Flanged STRAIGHT SECTION COVERS



Flange is 3/8" wide.

FLAT, FLANGED

FLANGE IN	1 3/4" FLANGE OUT
	

SOLID, FLAT — FLANGED PRODUCT NUMBER

M	2000	2066
G	1000	1066
L	3000	3036
T	3005	3029

COVER CATALOG NUMBERING EXAMPLE:

COVER SYSTEM NO.	LENGTH OR FITTING PRODUCT NO.	
2000	-0012-	36
	↓ LENGTH	↓ WIDTH
	0006** - 6'	
	0010 - 10'	
	0012 - 12'	

Cover Thickness:

G	18 Ga.		
M	L	T	20 Ga.

** Standard length for steel covers hot-dip galvanized after fabrication per ASTM A-123 is 6'-0".

WIDTHS (W) INCHES

6 | 9 | 12 | 18 | 24 | 30 | 36

- **Material:**
 - Mill Galvanized (M)
 - Hot-Dipped Galvanized (G)
 - 304L Stainless Steel (L)
 - 316L Stainless Steel (T)
- **Length (L):** available in: 6', 10' & 12'