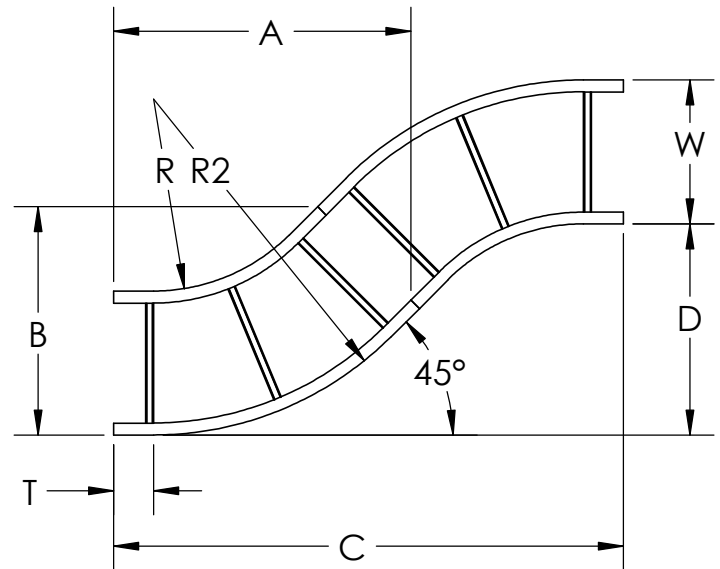
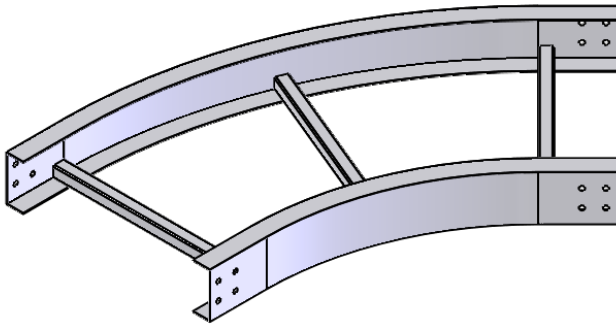




PW Steel Ladder Cable Tray Horizontal Fitting

45HB Horizontal 45° Elbow



HORIZONTAL ELBOW CATALOG NUMBERING EXAMPLE					
FITTING					
SYSTEM NO. PRODUCT NO.					
BOTTOM TYPE		LD - 4G2I - 4524 - 18		WIDTH	
VENTED				06 - 6"	
LD - Ladder				09 - 9"	
VC! - Vented Corrugated				12 - 12"	
NON-VENTED				18 - 18"	
SC! - Solid Corrugated				24 - 24"	
SF! - Solid Flat Bottom				30 - 30"	
! Available for flange in only				36 - 38"	
VC/SC Available in steel only					
SF Available in stainless steel only					
MATERIAL					
SIDE RAIL		FITTING		FLANGE	
G		L		I - Flange In	
T		1 - SERIES 1		O - Flange Out	
		2 - SERIES 2			

MATERIAL: STEEL/STAINLESS STEEL

FINISH SUFFIX:

G: HOT DIP GALVANIZED STEEL PER ASTM A123

L: 304 STAINLESS STEEL PER ASTM A-240

T: 316 STAINLESS STEEL PER ASTM A-240

BOTTOM: LD - LADDER

VC - VENTED CORRUGATED

SC - SOLID CORRUGATED

SF - SOLID FLAT BOTTOM

Construction: Welded

Tray Design: Tray constructed and markings are per the latest addition of NEMA Standards Publication VE1, CSA C22.2 No. 126

Connectors: All fittings are supplied with necessary connectors and fasteners

Fitting Heights (H): 4", 5", 6", 7"

Tangents: Series 1 fittings have a 2" tangent
Series 2 fittings have a 5" tangent

PRODUCT NUMBER	RADIUS (IN.)	W	R2	SERIES1				SERIES2			
				A	B	C	D	A	B	C	D
4512	12"	6	18	16 1/2	10 1/2	28	11 1/2	21 1/4	13 1/2	38 1/2	16
		9	21	18 1/2	13 1/2	30 1/2	12 1/2	23 3/4	16 1/2	40 1/2	16 1/2
		12	24	20 1/2	16 1/2	32 1/2	13 1/2	25 1/2	19 1/2	42 1/2	17 1/2
		18	30	24 1/2	22 1/2	36 1/2	15 1/2	29 1/4	25 1/2	46 1/2	19 1/2
		24	36	28 1/2	28 1/2	40 1/2	16 1/2	34	31 1/2	51 1/2	21 1/2
		30	42	33 1/2	34 1/2	45	18 1/2	38 1/2	37 1/2	55 1/2	23
		36	48	37 1/2	40 1/2	49 1/2	20 1/2	42 1/2	43 1/2	59 1/2	24 1/2
4524	24"	6	30	24 1/2	14 1/2	45	18 1/2	29 1/4	16 1/2	55 1/2	23
		9	33	26 1/2	17 1/2	47 1/2	19 1/2	31 1/2	19 1/2	57 1/2	23 1/2
		12	36	28 1/2	20 1/2	49 1/2	20 1/2	34	22 1/2	59 1/2	24 1/2
		18	42	33 1/2	26 1/2	53 1/2	22 1/2	38 1/2	28 1/2	63 1/2	26 1/2
		24	48	37 1/2	32 1/2	57 1/2	23 1/2	42 1/2	34 1/2	68	28 1/2
		30	54	41 1/2	38 1/2	62	25 1/2	46 1/2	40 1/2	72 1/2	30
		36	60	45 1/2	44 1/2	66 1/2	27 1/2	51	46 1/2	76 1/2	31 1/2
4536	36"	6	42	33 1/2	18 1/2	62	25 1/2	38 1/2	20 1/2	72 1/2	29 1/2
		9	45	35 1/2	21 1/2	64 1/2	26 1/2	40 1/2	23 1/2	74 1/2	30 1/2
		12	48	37 1/2	24 1/2	66 1/2	27 1/2	42 1/2	26 1/2	76 1/2	31 1/2
		18	54	41 1/2	30 1/2	70 1/2	29 1/2	46 1/2	32 1/2	80 1/2	33 1/2
		24	60	45 1/2	36 1/2	74 1/2	31	51	38 1/2	85	35 1/2
		30	66	50 1/2	42 1/2	79	32 1/2	55 1/2	44 1/2	89 1/2	37
		36	72	54 1/2	48 1/2	83 1/2	34 1/2	59 1/2	50 1/2	93 1/2	38 1/2

"Copyright LNA, Inc. Drawings are proprietary and may not be copied or otherwise duplicated or used without express written permission."

CABCS1501

Legrand
8319 State Rt. 4
Mascoutah, IL 62258 USA
800-658-4641
618-566-3250
Fax 618-566-4978
www.legrand.us/cablofil