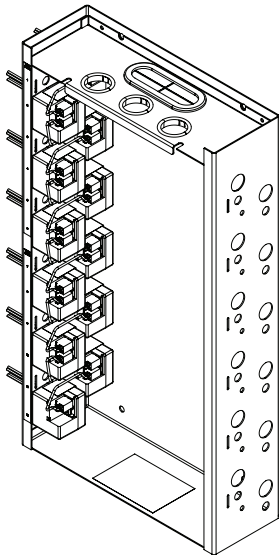
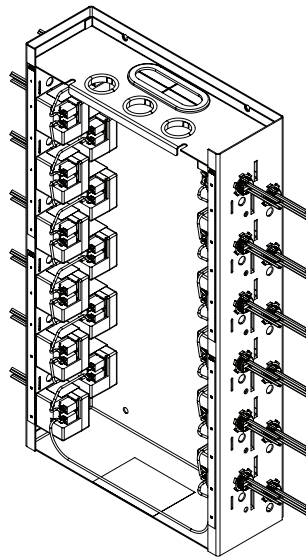


**Catalog Numbers • Les Numéros de Catalogue • Los Números de Catálogo • Katalognummer:**  
**EN-CP12-10V, EN-CP24-10V**

Country of Origin: Made in Canada • Pays d'origine: Fabriqué en Canada • País de origen: Hecho en Canadá • Herkunftsland: Hergestellt in Kanada



EN-CP12-10V



EN-CP24-10V

## SPECIFICATIONS

Voltage: ..... 22.5V, supplied by GreenBus  
Maximum Output Load Ratings per ALC module  
    @120/277/347V, 20A; Ballast/LED Driver, Tungsten, Resistive,  
    General Purpose  
    @120/277V; 1.5 HP VAC Motor  
0-10V sinks up to 30mA per ALC module  
SCCR (short circuit current rating) ..... 5,000 amps  
Panel comes from factory in Class 1 0-10V dimming output  
configuration. For Class 2 0-10V installations, a conversion kit must  
be used (order separately).  
Operating Temperature ..... 32° to 113°F (0° to 45°C)  
Mounting ..... EN-CP panels are compatible with LENC enclosures  
(order separately). Surface and Flush mounting available.  
Certifications  
UL and cUL listed (UL916), Complementary Listed to  
"Emergency Lighting Equipment" (UL924)  
FCC Part 15 Class B compliant

## DESCRIPTION

The EN-CP panel series is designed to provide high-power switching and 0-10V dimming between groups of luminaires and the GreenBus™ communication network. The panels can be networked together on wired GreenBus to enable automation through out an entire facility.

The EN-CP panel series dimming outputs can be isolated and suitable for installation as either NEC Class 2 or Class 1 circuits. The panel can switch and dim entire circuits of electrical loads and is suitable for general-purpose plug load control.

## PRODUCT SAFETY



### IMPORTANT SAFEGUARDS

When using electrical equipment, basic safety precautions should always be followed, including the following:

#### READ AND FOLLOW ALL SAFETY INSTRUCTIONS

- Do not mount near gas or electric heaters or let power supply cords touch hot surfaces.
- Equipment should be mounted in locations and at heights where it will not readily be subjected to tampering by unauthorized personnel.
- The use of accessory equipment is not recommended by Legrand as it may cause an unsafe condition.
- Do not use this equipment for other than the intended use.
- Do not use outdoors
- If any Emergency Circuits are fed or controlled from this panel, it must be located electrically where fed from a UPS, generator or other guaranteed source of power during emergency and power outage situations.

### Important Installation Notices

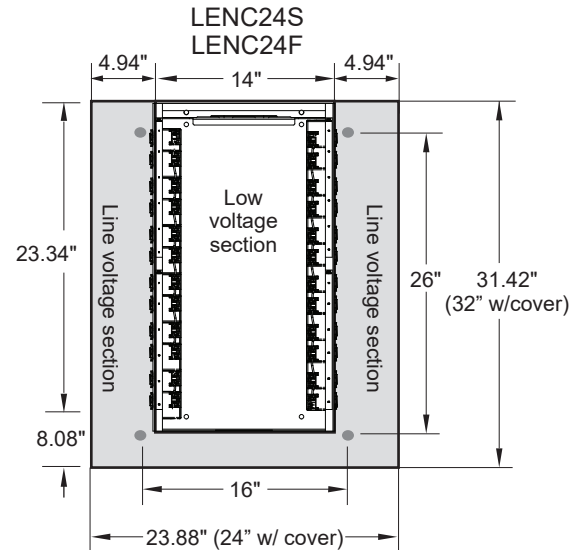
- All power must be turned OFF prior to wiring, installation or service.
- More than one disconnect may be required to de-energize power to the EN-CPxx-10V.
- External circuit protection to the EN-CPxx-10V is required (e.g., circuit breaker).
- Installation shall be in accordance with all applicable regulations, wiring practices, and codes.
- Care should be taken not to mix Class 1 and Class 2 wires.
- Do not energize wiring until the unit is fully assembled and connected circuits have been tested and found to be free of electrical shorts.

SAVE THESE INSTRUCTIONS

## INSTALLATION

### Step 1 Mount the EN-CP Enclosure

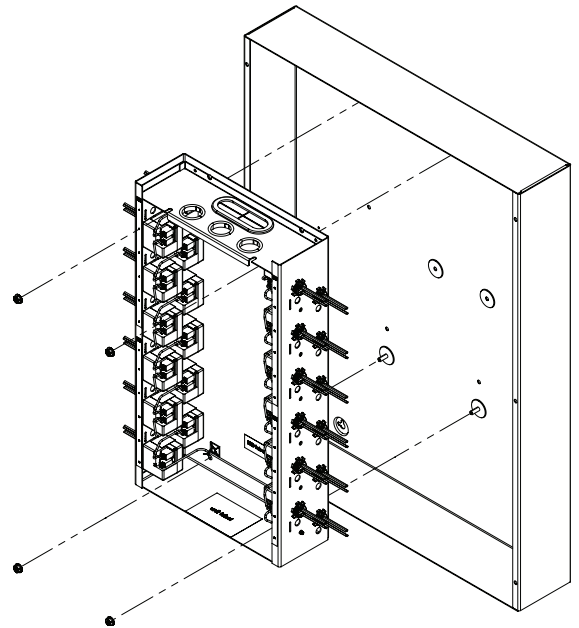
1. Attach the enclosure to the wall. The enclosure should be level, plumb and rigidly installed. Refer to the instructions provided with the enclosure for flush or surface mounting procedures.
2. Determine the appropriate wire entry locations. Make sure that all line and low voltage wiring entry locations are confined to the appropriate compartments as shown in the diagram.  
All wires routed into the low voltage section must originate and remain Class 2, or they must be reclassified.
3. Drill or knock out openings to bring wiring conduit into the enclosure.



### Step 2 Install the EN-CP Interior

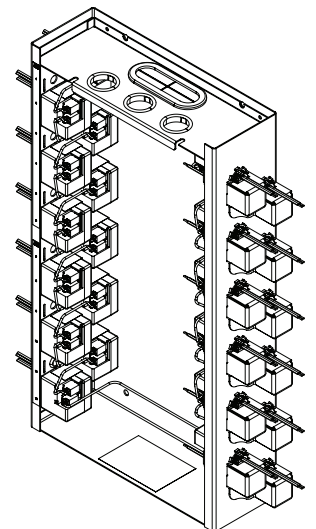
Do not install the interior assembly until after the EN-CP enclosure has been securely mounted to the wall and the conduit/wiring holes have been drilled or knocked out.

1. Place the interior in the enclosure and align the interior with the studs provided in the enclosure.
2. Attach the interior assembly to the back of the enclosure using the four sets of nuts and washers provided.
3. After all wiring is completed, attach the cover according to the instructions provided with the enclosure.

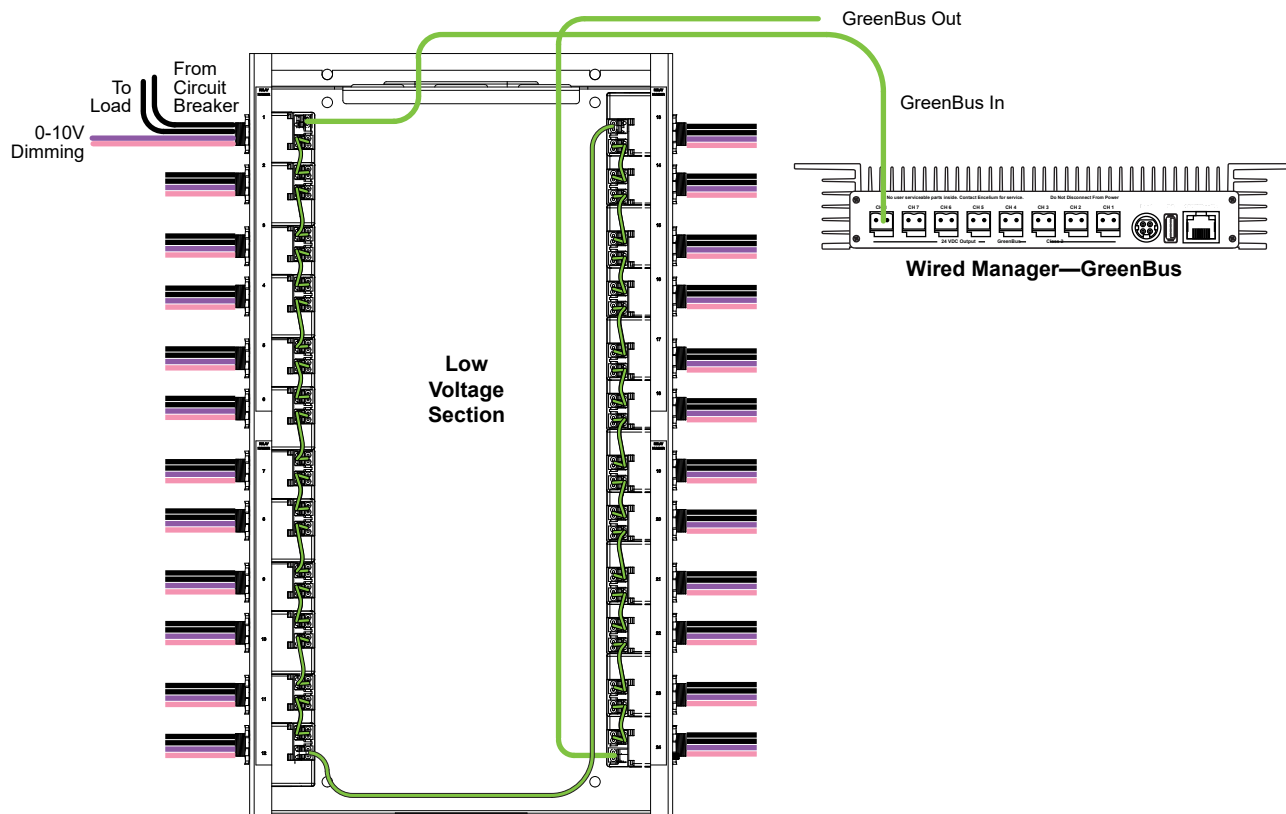


## OPTIONAL - CLASS 2 0-10V CONVERSION

The EN-CP panel series comes from the factory in Class 1 0-10V dimming output configuration. For Class 2 0-10V installations, a EN-CP-CKIT conversion kit must be used (order separately). Each EN-CP-CKIT converts up to 12 circuits. To convert all 24 circuits in a EN-CP24-10V panel, order two EN-CP-CKIT conversion kits. See EN-CP-CKIT installation instructions for more information. If the 0-10V circuits will be classified as Class 2, Wattstopper recommends installing the conversion kit after attaching the interior assembly to the back of the enclosure and before wiring devices.



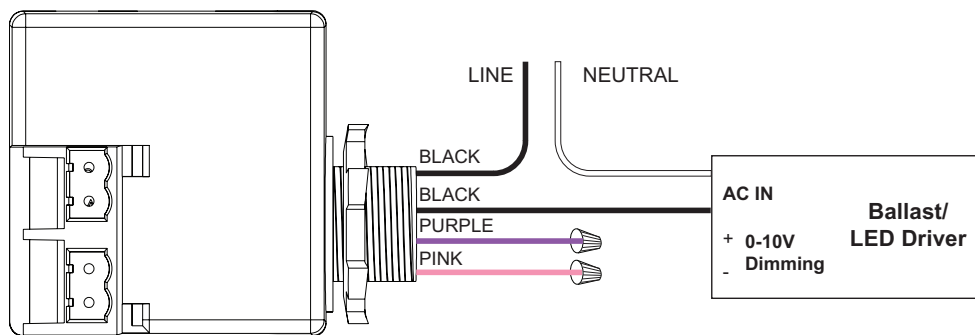
# WIRING



**⚡ WARNING: TURN THE POWER OFF AT THE CIRCUIT BREAKER BEFORE WIRING. ⚡**

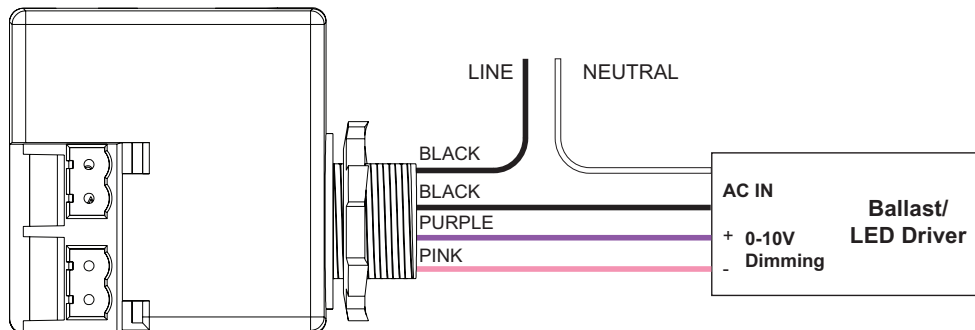
**⚠ CAUTION CAP OFF ANY UNUSED WIRES ⚠**

## Non-Dimmable Luminaire Wiring



For non-dimming ballasts, cap the purple and pink wires.

## 0-10V Dimmable Luminaire Wiring



---

## WARRANTY INFORMATION

---

Wattstopper warrants its products to be free of defects in materials and workmanship for a period of five (5) years. There are no obligations or liabilities on the part of Wattstopper for consequential damages arising out of, or in connection with, the use or performance of this product or other indirect damages with respect to loss of property, revenue or profit, or cost of removal, installation or reinstallation.

---

### INFORMATIONEN ZUR GARANTIE

Wattstopper garantiert für einen Zeitraum von fünf (5) Jahren, dass seine Produkte frei von Material- und Verarbeitungsfehlern sind. Es bestehen keine Verpflichtungen oder Haftungen seitens Wattstopper für Folgeschäden, die aus oder in Verbindung mit der Verwendung oder Leistung dieses Produkts entstehen, oder für andere indirekte Schäden in Bezug auf den Verlust von Eigentum, Einnahmen oder Gewinn oder Kosten für den Ausbau, die Installation oder Neuinstallation.

### INFORMATIONS RELATIVES À LA GARANTIE

Wattstopper garantit que ses produits sont exempts de défauts de matériaux et de fabrication pour une période de cinq (5) ans. Wattstopper ne peut être tenu responsable de tout dommage consécutif causé par ou lié à l'utilisation ou à la performance de ce produit ou tout autre dommage indirect lié à la perte de propriété, de revenus, ou de profits, ou aux coûts d'enlèvement, d'installation ou de réinstallation.

### INFORMACIÓN DE LA GARANTÍA

Wattstopper garantiza que sus productos están libres de defectos en materiales y mano de obra por un período de cinco (5) años. No existen obligaciones ni responsabilidades por parte de Wattstopper por daños consecuentes que se deriven o estén relacionados con el uso o el rendimiento de este producto u otros daños indirectos con respecto a la pérdida de propiedad, renta o ganancias, o al costo de extracción, instalación o reinstalación.