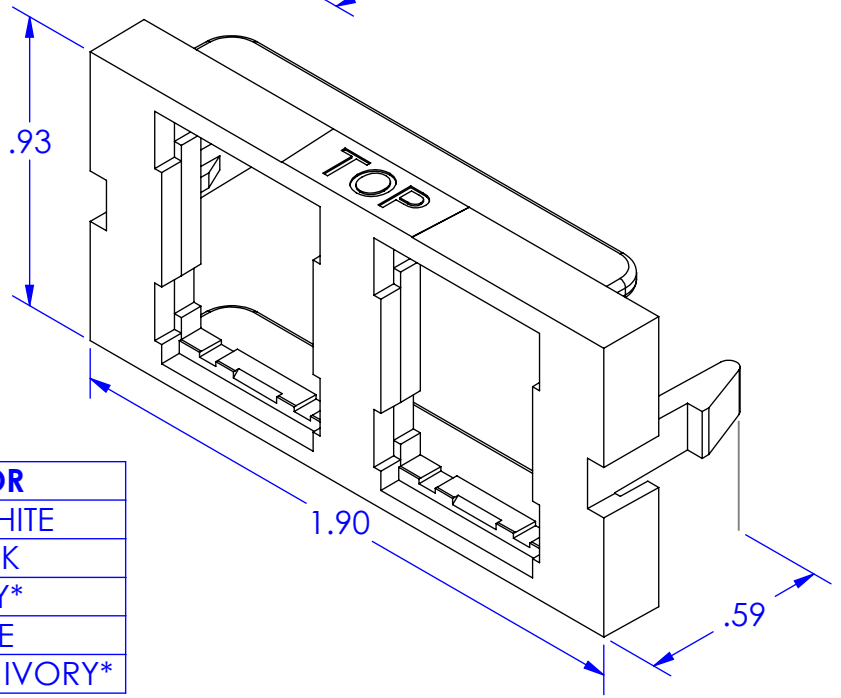


SHOWN WITH 2 HIGH DENSITY  
MODULES INSTALLED  
(MODULES SOLD SEPARATELY)



PART NO.	(-XX)	COLOR
S22HDJ10	NONE	FOG WHITE
S22HDJ10-00	-00	BLACK
S22HDJ10-13*	-13*	IVORY*
S22HDJ10-88	-88	WHITE
S22HDJ10-99*	-99*	WIREMOLD IVORY*

\* ASTERISK DENOTE MOQ REQUIRED.  
CONTACT CUSTOMER SERVICE.

NOTE: ALL DIMENSIONS IN INCHES.

\*\*\* NOTICE \*\*\*  
THIS DOCUMENT CONTAINS CONFIDENTIAL  
AND/OR PROPRIETARY INFORMATION INTENDED  
FOR USE ONLY BY THE INDIVIDUAL(S) PROVIDED.  
NEITHER THIS DOCUMENT, NOR ANY  
INFORMATION CONTAINED HEREIN, MAY BE  
COPIED, DISTRIBUTED, DISCLOSED TO ANY THIRD  
PARTY OR USED IN ANY MANNER OTHER THAN  
FOR WHICH IT HAS BEEN PROVIDED, WITHOUT THE  
PRIOR WRITTEN CONSENT OF LEGRAND INC.  
MANUFACTURING RELEASE. PRODUCT  
SPECIFICATIONS AND STANDARDS ARE SUBJECT  
TO CHANGE WITHOUT NOTICE.



WWW.LEGRAND.US

TITLE

BEZEL KIT, SERIES II MODULE, HDJ,  
2 PORT, KIT OF 10

	NAME	DATE	SIZE	CAD FILE	DWG NO	REV
DWN	MM	5/21/2014	A	S22HDJ10XXC	S22HDJ10-XX	01
CHK	CR	5/21/2014	SCALE	2:1	WEIGHT	
APPR	GJL	5/22/2014			SHEET	1 OF 1