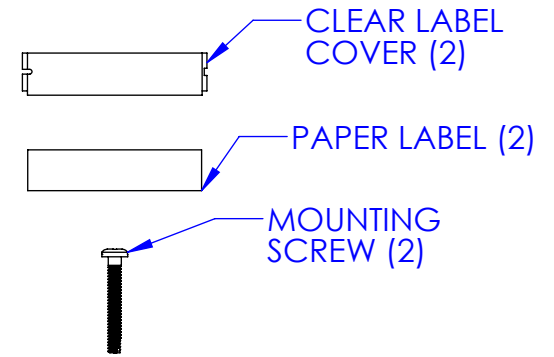
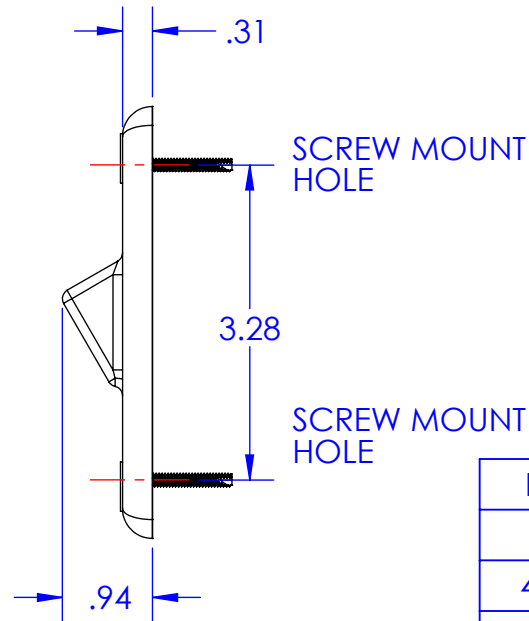
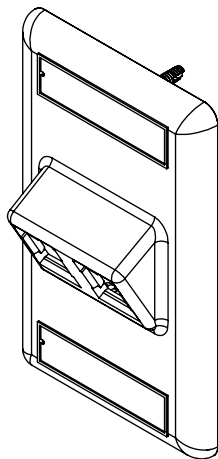


FACEPLATE (FP)



PART NUMBER	(-XX)	COLOR
403HDJA12	NONE	FOG WHITE
403HDJA12-00	-00	BLACK
403HDJA12-13	-13	IVORY
403HDJA12-78	-78	WM DK GRAY
403HDJA12-88	-88	WHITE
403HDJA12-99*	-99*	WM IVORY*

*ASTERISK DENOTES MOQ REQUIRED. CONTACT CUSTOMER SERVICE.

*** NOTICE ***
 THIS DOCUMENT CONTAINS CONFIDENTIAL AND/OR PROPRIETARY INFORMATION INTENDED FOR USE ONLY BY THE INDIVIDUAL(S) PROVIDED. NEITHER THIS DOCUMENT, NOR ANY INFORMATION CONTAINED HEREIN, MAY BE COPIED, DISTRIBUTED, DISCLOSED TO ANY THIRD PARTY OR USED IN ANY MANNER OTHER THAN FOR WHICH IT HAS BEEN PROVIDED, WITHOUT THE PRIOR WRITTEN CONSENT OF LEGRAND, INC.



WWW.LEGRAND.US

TITLE

FP KIT, HDJ, ANGLED, 1 GANG, 2 PORT, LABEL, COVER, SCREW KIT

NOTE: ALL DIMENSIONS ARE IN INCHES

	NAME	DATE	SIZE	CAD FILE	DWG NO	REV
DWN			A	403HDJA12XXC	403HDJA12-XX	-
CHK			SCALE	1:2	WEIGHT	SHEET
APPR						1 OF 1