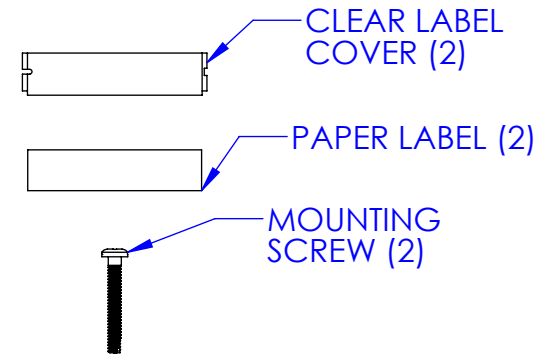
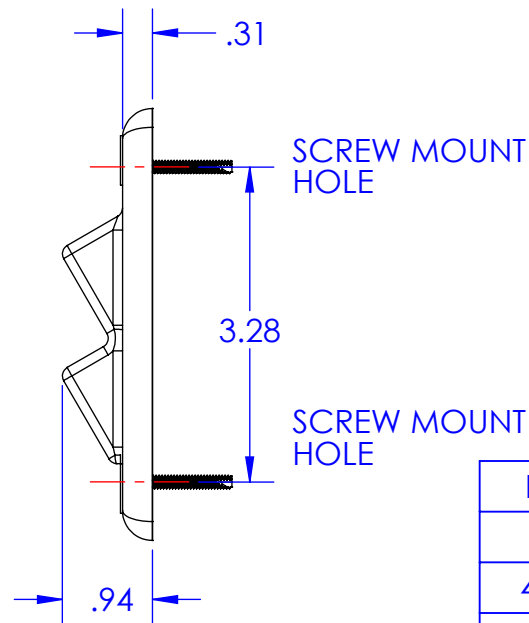
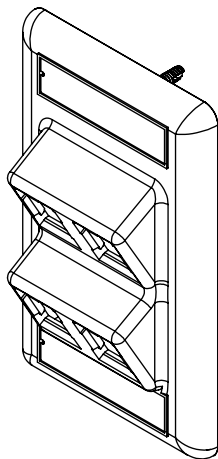


FACEPLATE (FP)



PART NUMBER	(-XX)	COLOR
403HDJA14	NONE	FOG WHITE
403HDJA14-00	-00	BLACK
403HDJA14-13	-13	IVORY
403HDJA14-78	-78	WM DK GRAY
403HDJA14-88	-88	WHITE
403HDJA14-99*	-99*	WM IVORY*

*ASTERISK DENOTES MOQ REQUIRED. CONTACT CUSTOMER SERVICE.



NOTE: ALL DIMENSIONS ARE IN INCHES

*** NOTICE ***
 THIS DOCUMENT CONTAINS
 CONFIDENTIAL AND/OR PROPRIETARY
 INFORMATION INTENDED FOR USE ONLY
 BY THE INDIVIDUAL(S) PROVIDED.
 NEITHER THIS DOCUMENT, NOR ANY
 INFORMATION CONTAINED HEREIN, MAY
 BE COPIED, DISTRIBUTED, DISCLOSED TO
 ANY THIRD PARTY OR USED IN ANY
 MANNER OTHER THAN FOR WHICH IT HAS
 BEEN PROVIDED, WITHOUT THE PRIOR
 WRITTEN CONSENT OF LEGRAND, INC.



WWW.LEGRAND.US

TITLE

FP KIT, HDJ, ANGLED, 1 GANG, 4 PORT,
 LABEL, COVER, SCREW KIT

	NAME	DATE	SIZE	CAD FILE	DWG NO	REV
DWN			A	403HDJA14XXC	403HDJA14-XX	-
CHK			SCALE	1:2	WEIGHT	SHEET
APPR						1 OF 1