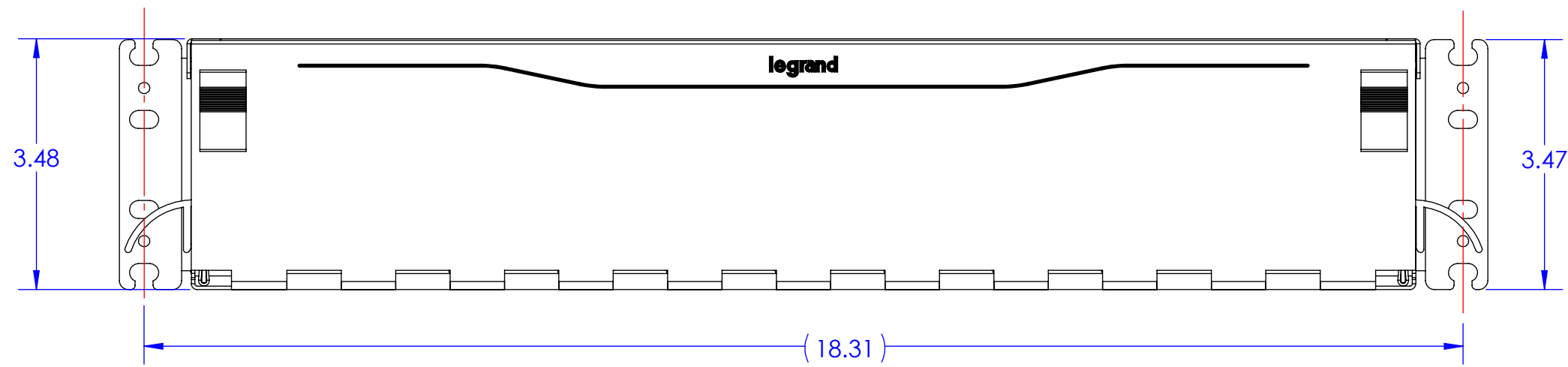
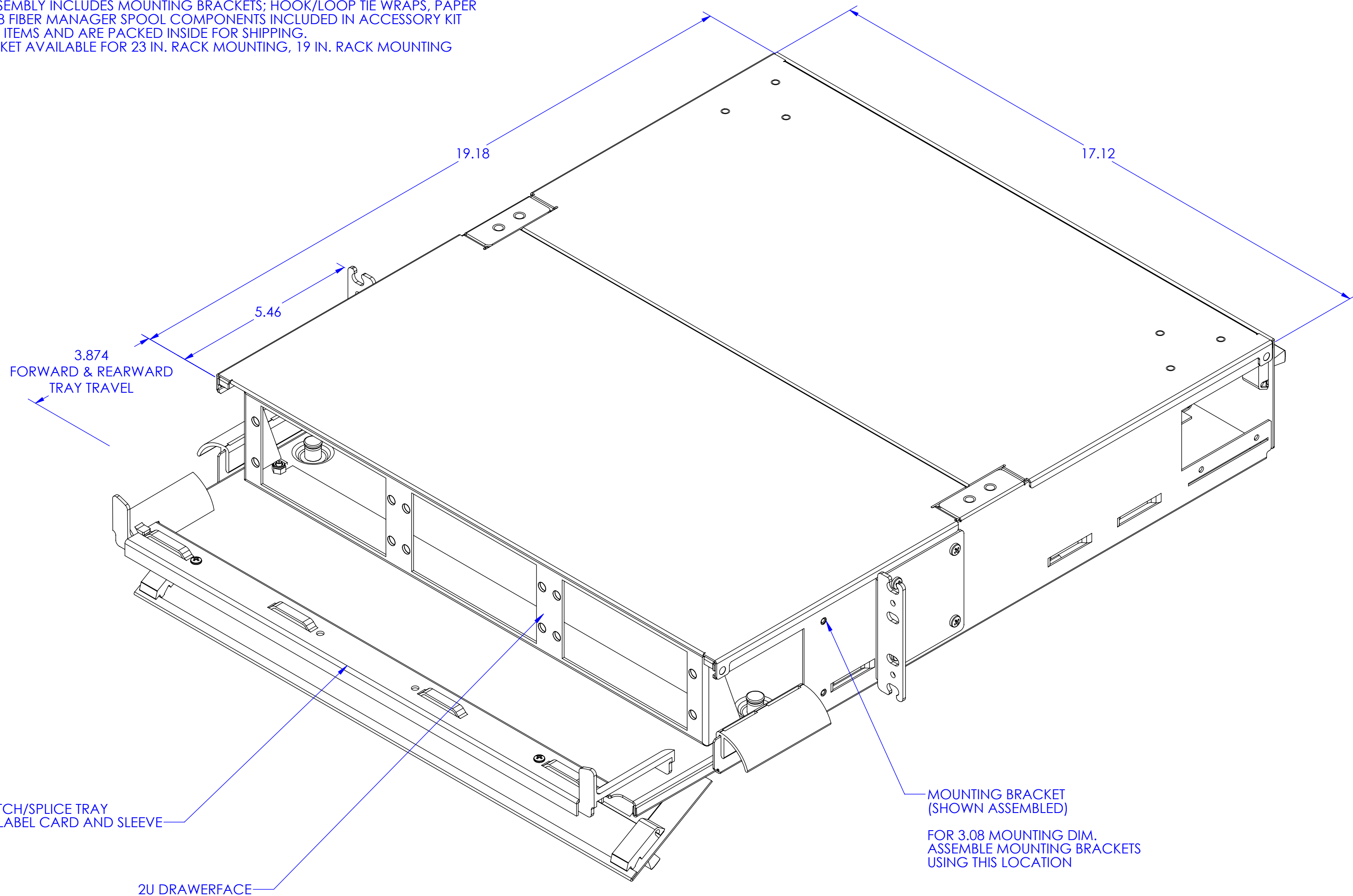


NOTES:

1. DIMENSIONS ARE INCHES.
2. THE CABINET COLOR: BLACK.
3. THE CABINET ASSEMBLY INCLUDES MOUNTING BRACKETS; HOOK/LOOP TIE WRAPS, PAPER LABEL CARD, & 8 FIBER MANAGER SPOOL COMPONENTS INCLUDED IN ACCESSORY KIT AS UNINSTALLED ITEMS AND ARE PACKED INSIDE FOR SHIPPING.
4. EXTENDER BRACKET AVAILABLE FOR 23 IN. RACK MOUNTING, 19 IN. RACK MOUNTING SHOWN.



*** NOTICE ***
 THIS DOCUMENT CONTAINS CONFIDENTIAL AND/OR PROPRIETARY INFORMATION INTENDED FOR USE ONLY BY THE INDIVIDUAL(S) PROVIDED. NEITHER THIS DOCUMENT, NOR ANY INFORMATION CONTAINED HEREIN, MAY BE COPIED, DISTRIBUTED, DISCLOSED TO ANY THIRD PARTY OR USED IN ANY MANNER OTHER THAN FOR WHICH IT HAS BEEN PROVIDED. WITHOUT THE PRIOR WRITTEN CONSENT OF LEGRAND, INC. MANUFACTURING RELEASE. PRODUCT SPECIFICATIONS AND STANDARDS ARE SUBJECT TO CHANGE WITHOUT NOTICE.

legrand® WWW.LEGRAND.US

TITLE: ENCL,RACK MNT,Q-SERIES,2U, M2 CASS,BLACK

DWN	LWJ	11/08/2018	SIZE C	CAD FILE EQ02UCHCC	DWG NO EQ02U-CHC	REV 06
CHK	RJG	11/08/2018	SCALE 1:4	SHEET		1 OF 1
APPR						