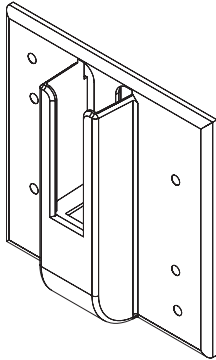
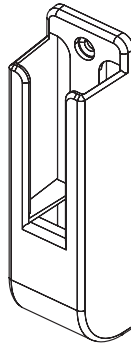


**Catalog Number • Numéro de Catalogue • Número de Catálogo: LMLS-MB1-MB2**

Country of Origin: Made in China • Pays d'origine: Fabriqué en Chine • País de origen: Hecho en China



**LMLS-MB1**



**LMLS-MB2**

## SPECIFICATIONS

Material:..... ABS, UL 94 5V  
 ..... Flame Retardant Material  
 ..... Indoor Use Only

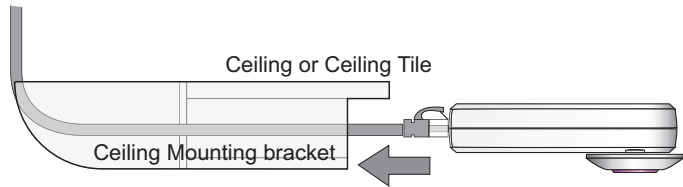
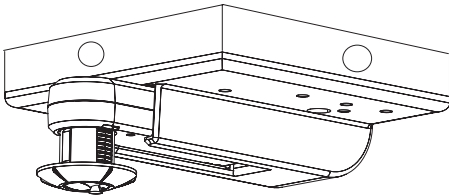
**Mounting Options:**

LMLS-MB1 ..... 4-Square J-Box  
 ..... 2-Gang J-Box  
 LMLS-MB2 ..... Screw to Wall  
 ..... Tape to wall with double sided tape

## DESCRIPTION

The LMLS-MB1 and LMLS-MB2 mounting brackets provide the flexibility to mount the LMLS-400 and LMLS-500 Photosensors to walls, skylight wells, or J-Boxes. They are specifically designed to be used in conjunction with these Photosensors.

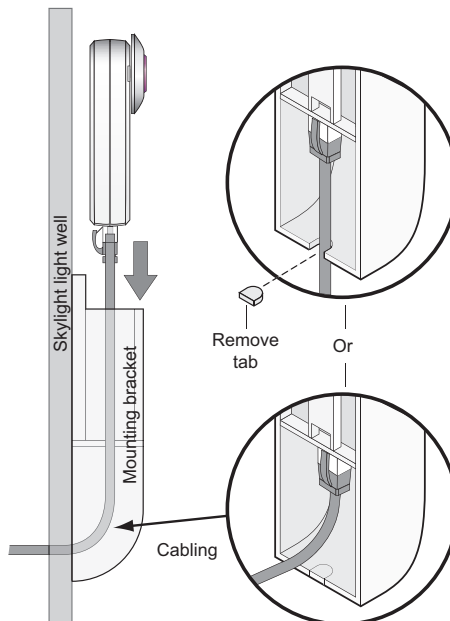
### LMLS-MB1 J-Box Mounted



**Surface Mount using LMLS-MB1 Mounting Bracket**

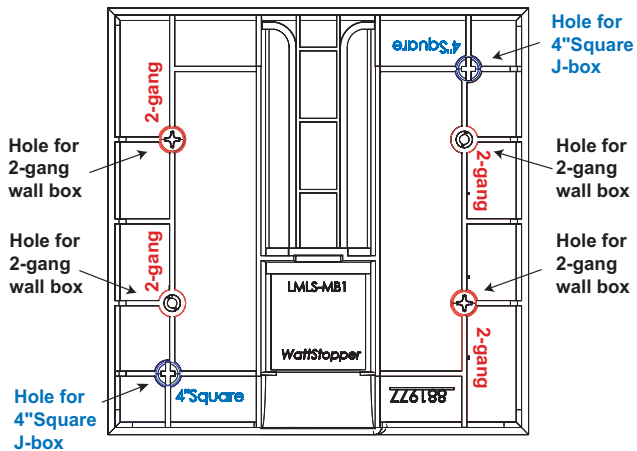
### LMLS-MB2 Skylight Wall Mounted

**Surface Mount  
 using LMLS-MB2  
 Mounting Bracket**



## LMLS-MB1 MOUNTING OPTIONS

The LMLS-MB1 is designed to be able to mount to a standard 4" square junction box as well as a 2-gang junction box. Using a small screwdriver, punch out the holes for the corresponding junction box. Holes are clearly marked on the rear side of mounting plate.

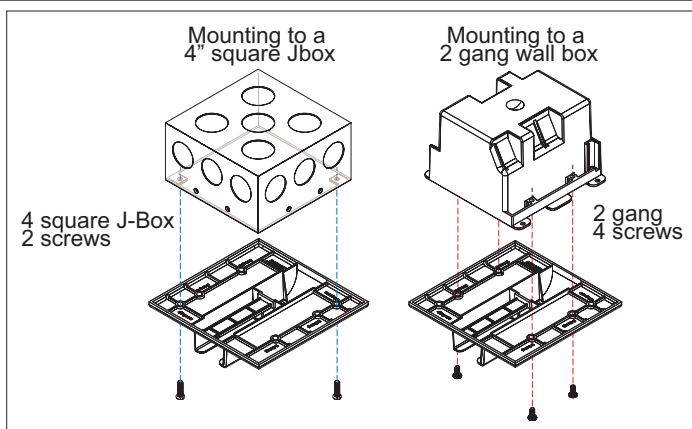


Mounting plate back view

## LMLS-MB1 MOUNTING INSTRUCTIONS

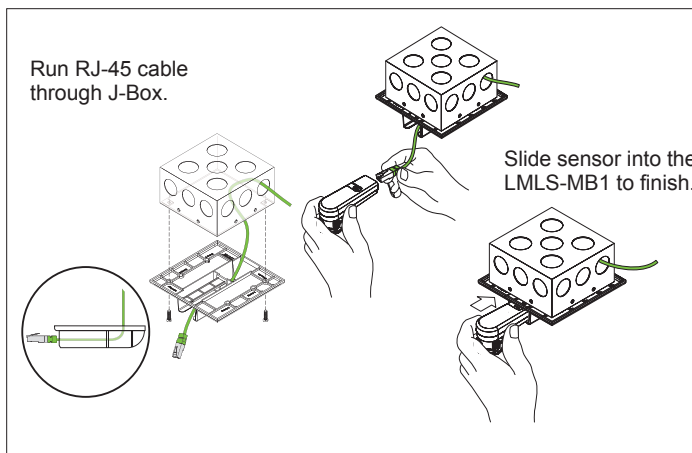
### Mounting to the Junction Box

After punching out the holes, use the provided screws to mount the LMLS-MB1 to the corresponding junction box as shown.



### Connecting the RJ-45 Cable

1. Run RJ-45 cable through the J-Box.
2. Connect the RJ-45 cable and photosensor as shown.
3. Slide sensor into the LMLS-MB1 to finish.



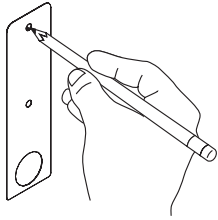
## LMLS-MB2 MOUNTING OPTIONS

The LMLS-MB2 can be mounted to a wall with the provided screws or by using the double-sided tape. Using the provided template, marking the wall with appropriate hole spacings is made easy. The LMLS-MB2 has a small break-away tab at the bottom of the bracket for use when running the RJ-45 cable on the wall surface if desired.

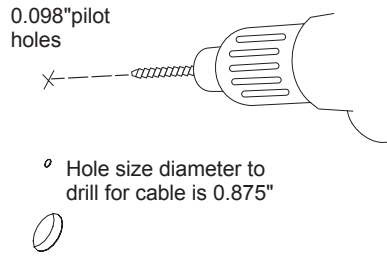
For the screw holes, use a #40 drill gauge bit size to drill a 0.098" pilot hole. If drilling through a wall the recommended hole size diameter to drill for the cable is 0.875".

## LMLS-MB2 MOUNTING WITH SCREWS

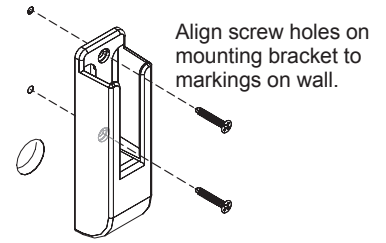
1. Use template to mark wall with appropriate hole spacings.



2. Drill screw pilot holes using #40 drill bit.



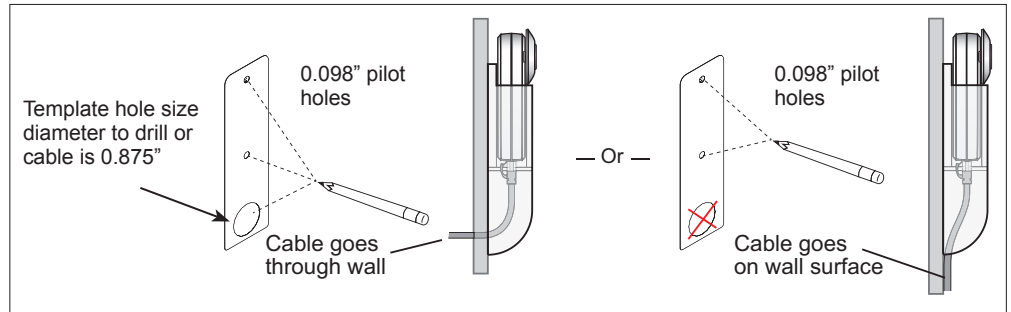
3. Use provided screws to mount the LMLS-MB2 to the wall.



### Placement Example when mounting with screws

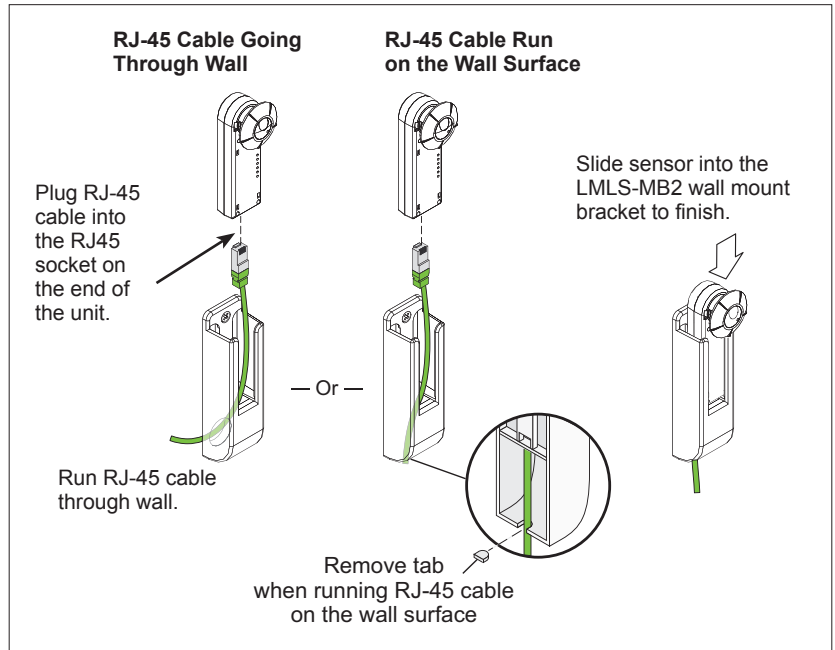
Mounting when running the RJ-45 cable through wall.

Mounting when running the RJ-45 cable on the wall surface.



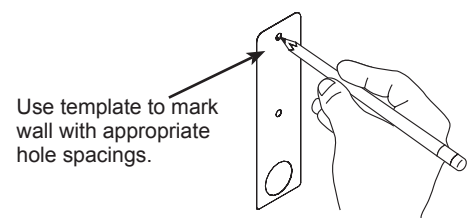
### Wiring Detail

Connect RJ-45 cable and photosensor as shown.



## LMLSMB-2 MOUNTING WITH DOUBLE-SIDED TAPE

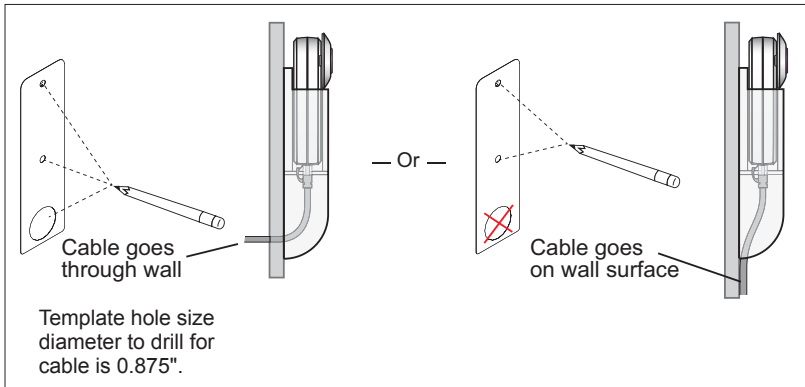
The LMLS-MB2 can be mounted to a wall using the double-sided tape. Using the provided template, mark the wall with the appropriate hole spacings. The LMLS-MB2 has a small break-away tab at the bottom of the bracket for use when running the RJ-45 cable on the wall surface, if desired.



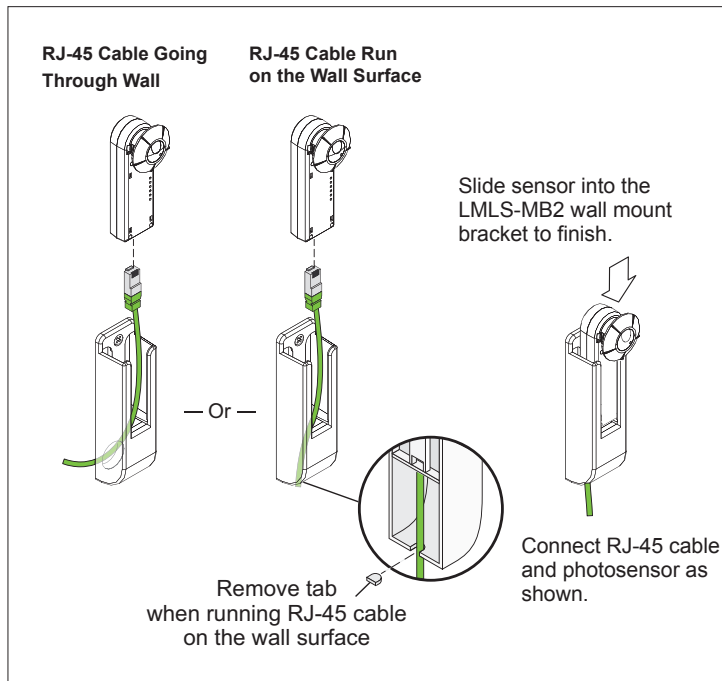
## Placement Example when mounting with double sided tape

Mounting when running the RJ-45 cable through wall.

Mounting when running the RJ-45 cable on the wall surface.

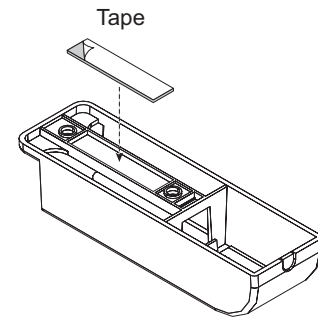


## Wiring Detail

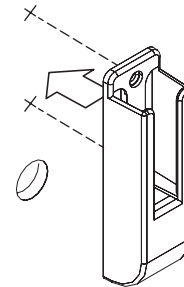


## Mounting Instructions

Apply tape to rear recess as shown.



Visually align to markers on wall, then press on wall.



### WARRANTY INFORMATION

Wattstopper warrants its products to be free of defects in materials and workmanship for a period of five (5) years. There are no obligations or liabilities on the part of Wattstopper for consequential damages arising out of, or in connection with, the use or performance of this product or other indirect damages with respect to loss of property, revenue or profit, or cost of removal, installation or reinstallation.

### INFORMATIONS RELATIVES À LA GARANTIE

Wattstopper garantit que ses produits sont exempts de défauts de matériaux et de fabrication pour une période de cinq (5) ans. Wattstopper ne peut être tenu responsable de tout dommage consécutif causé par ou lié à l'utilisation ou à la performance de ce produit ou tout autre dommage indirect lié à la perte de propriété, de revenus, ou de profits, ou aux coûts d'enlèvement, d'installation ou de réinstallation.

### INFORMACIÓN DE LA GARANTÍA

Wattstopper garantiza que sus productos están libres de defectos en materiales y mano de obra por un período de cinco (5) años. No existen obligaciones ni responsabilidades por parte de Wattstopper por daños consecuentes que se deriven o estén relacionados con el uso o el rendimiento de este producto u otros daños indirectos con respecto a la pérdida de propiedad, renta o ganancias, o al costo de extracción, instalación o reinstalación.