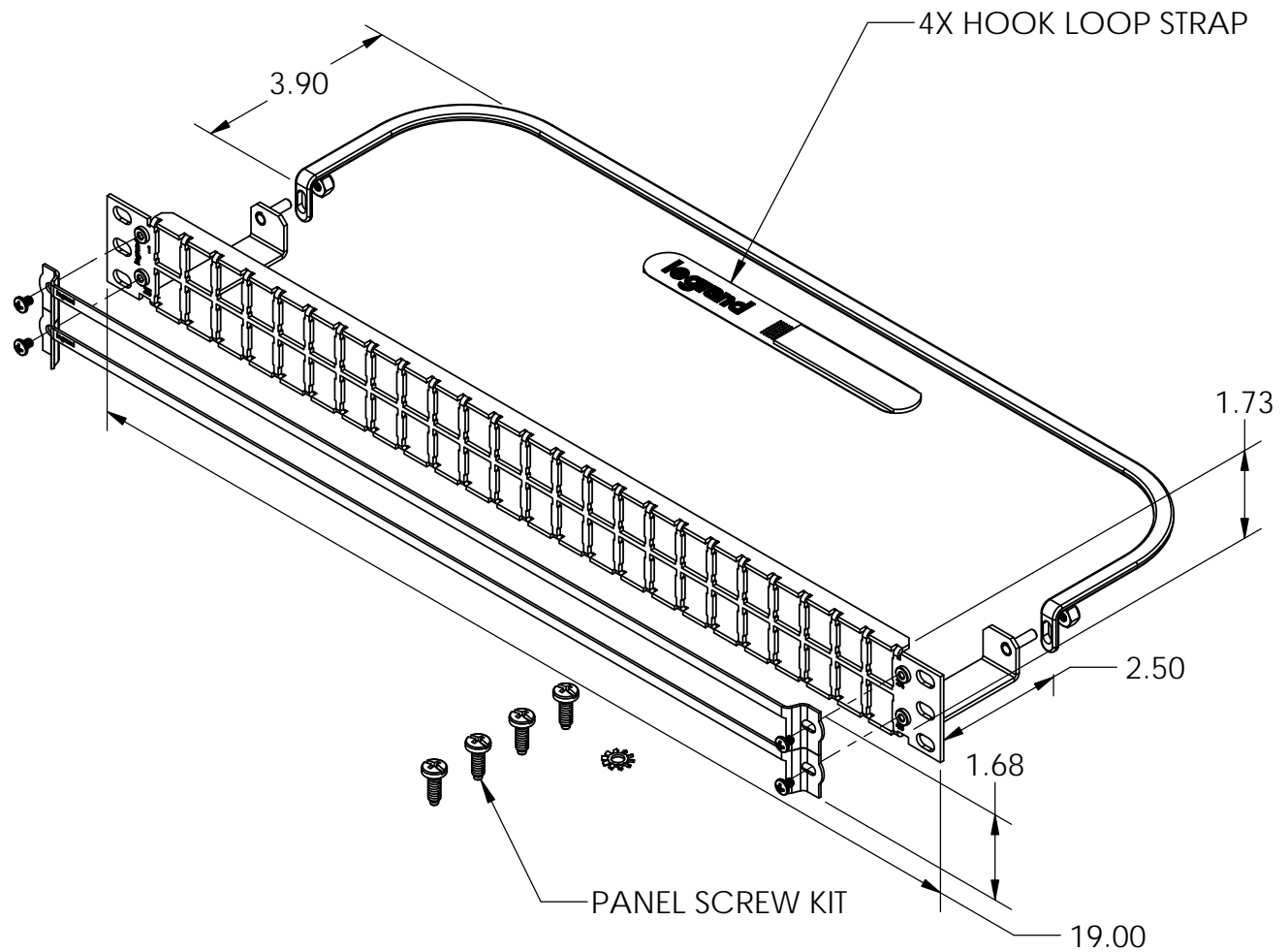



NOTES:

- 1) ALL DIMENSIONS ARE IN INCHES.
- 2) LABEL FIELD PROVIDED ATTACHED TO PATCH PANEL.
- 3) CABLE MANAGEMENT BAR DOES NOT COME PREASSEMBLED.



<p>*** NOTICE ***</p> <p>THIS DOCUMENT CONTAINS CONFIDENTIAL AND/OR PROPRIETARY INFORMATION INTENDED FOR USE ONLY BY THE INDIVIDUAL(S) PROVIDED. NEITHER THIS DOCUMENT, NOR ANY INFORMATION CONTAINED HEREIN, MAY BE COPIED, DISTRIBUTED, DISCLOSED TO ANY THIRD PARTY OR USED IN ANY MANNER OTHER THAN FOR WHICH IT HAS BEEN PROVIDED, WITHOUT THE PRIOR WRITTEN CONSENT OF LEGRAND, INC. MANUFACTURING RELEASE, PRODUCT SPECIFICATIONS AND STANDARDS ARE SUBJECT TO CHANGE WITHOUT NOTICE.</p>					WWW.LEGRAND.US	
			<p>TITLE</p> <p>KIT, LABEL FIELD, 1U, 48 PORT, FIBER, FLAT</p>			
	NAME	DATE	SIZE	CAD FILE	DWG NO	REV
DWN	RJG	10/6/2017	A	PHDFMU48C	PHDFMU48	02
CHK	NR	10/9/2017	SCALE 1:3		SHEET 1 OF 1	
APPR	RH	12/8/2017				