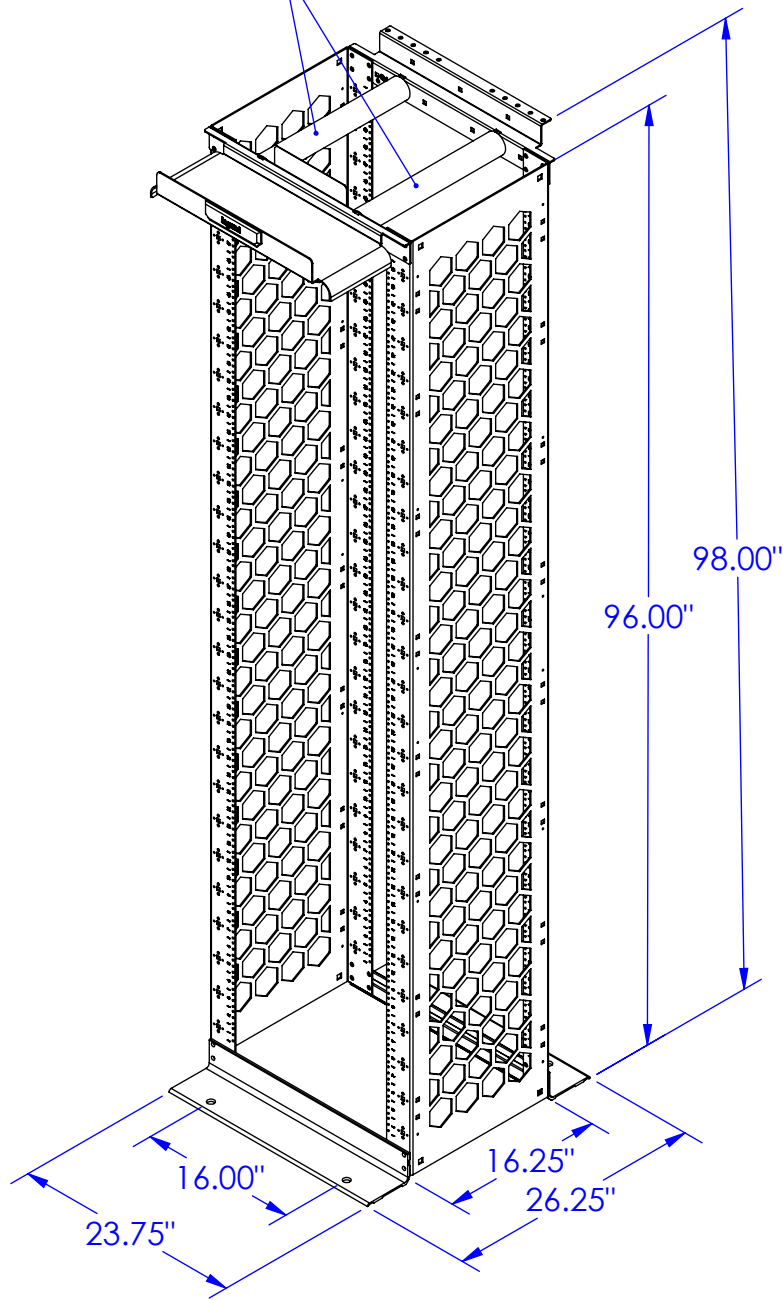


BEND LIMITER KITS (MM20BLK'S) SOLD SEPARATELY



TESTED TO UL2416 WITH A WEIGHT LOAD OF 2000LBS.

PART NUMBER DESIGNATIONS

PART NUMBER	"X" DENOTES FINISH
MM20816-B	BLACK
MM20816-W	WHITE

*** NOTICE ***
 THIS DOCUMENT CONTAINS CONFIDENTIAL AND/OR PROPRIETARY INFORMATION INTENDED FOR USE ONLY BY THE INDIVIDUAL(S) PROVIDED. NEITHER THIS DOCUMENT, NOR ANY INFORMATION CONTAINED HEREIN, MAY BE COPIED, DISTRIBUTED, DISCLOSED TO ANY THIRD PARTY OR USED IN ANY MANNER OTHER THAN FOR WHICH IT HAS BEEN PROVIDED, WITHOUT THE PRIOR WRITTEN CONSENT OF ORTRONICS, INC. MANUFACTURING RELEASE, PRODUCT SPECIFICATIONS AND STANDARDS ARE SUBJECT TO CHANGE WITHOUT NOTICE.



WWW.LEGRAND.US

TITLE

MM20 RACK, 16.25" CHANNEL 8FT

	NAME	DATE	SIZE	CAD FILE	DWG NO	REV
DWN	CV	4/24/2014	A	MM20816XC	MM20816-X	06
CHK	CAC	4/24/2014	SCALE	1:24	WEIGHT	SHEET
APPR	CV	4/24/2014				1 OF 1