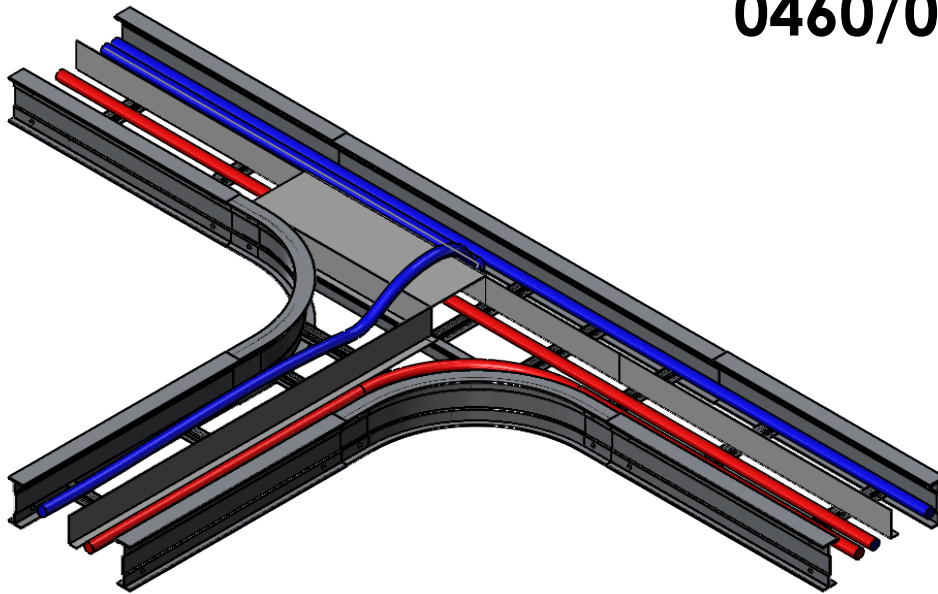


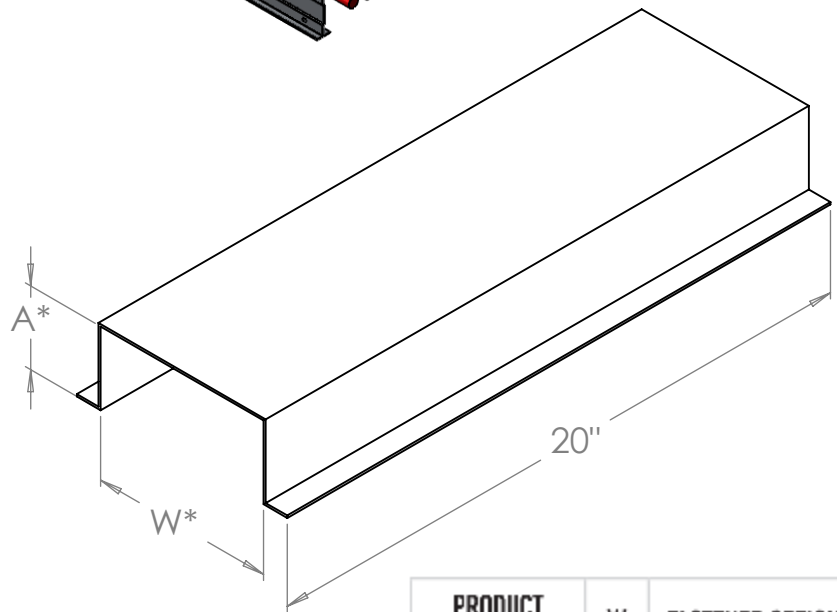


PW Ladder Cable Tray Cable Bridge for Divided Tee

0460/0461/0462/0463



Height	A* (in)
4	2.75
5	3.75
6	4.75
7	5.75



Material: Aluminum
Carbon Steel
Carbon Steel
316 Stainless Steel

Finish: None
Mill Galvanized
Hot-Dip Galvanized
None

Furnished with 4 #10 self drilling screws

Overall Width is $W^* + 1.75"$

Fastener Options: Stainless Steel (S6)

PRODUCT NUMBER	W	FASTENER OPTIONS
0460	6	S6
0461	9	S6
0462	12	S6
0463	18	S6

CATALOG NUMBERING EXAMPLE:

Material	Fasteners
4 M - 0460 - S6	

"Copyright LNA, Inc. Drawings are proprietary and may not be copied or otherwise duplicated or used without express written permission."

CABCS1199.B

Legrand
8319 State Rt. 4
Mascoutah, IL 62258 USA
800-658-4641
618-566-3250
Fax 618-566-4978
www.legrand.us/cablofil