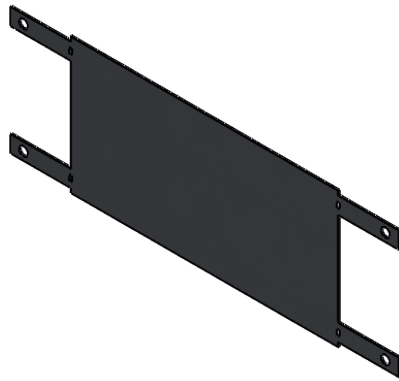


BE Blind End KIT



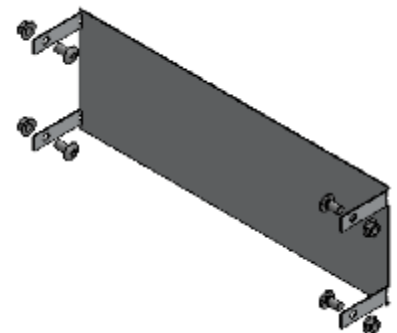
PRODUCT CODE	FASTENER OPTIONS
BE	GE S6
CATALOG NUMBERING EXAMPLE:	
H / Material	W Fasteners
4 A - BE -	- S 6



- **Material:** Aluminum Alloy 5052 - H32
- **Finish:** Plain
- **Height (H):** Tray height: 4", 5", 6", 7"
- **Width (W):** Tray width: 6", 9", 12", 18", 24", 30", 36"
- **Torque:** 19 - 25 ft-lbs

Installation:

- Blind End is shipped flat as shown
- Bend tabs at 90 angle
- Slide blind end onto Itray side rail
- Attach with included nuts and bolts



Installation orientation