



Networked Electrical Vehicle Charger for Commercial Spaces

Legrand's Level 2 Networked EV Charger provides facility managers and owners the ability to offer convenient access to electric vehicle charging for employees and tenants. The networked charger comes factory configured with the AmpUp charging management solution, allowing for fast activation and installation. The AmpUp solution allows hosts to remotely monitor the stations as well as set pricing and driver permissions. Drivers can start charging in seconds by tapping an RFID card or scanning the QR code on the front of the unit with the AmpUp EV Driver App.

Available in a single 48A unit, the charger can be wall-mounted or pedestal-mounted for installation flexibility. The single and back-to-back pedestals allow for connections to be made directly within the pedestal.

Features & Benefits

- **High Power Output** - Variable 16A - 48A power output provides fast Level 2 charging, up to 11.5kW
- **Networked Charger** - Cellular 4G connectivity provides access control and remote monitoring of chargers
- **Flexible Installation** - Wall-mount or pedestal-mount options available
- **SAE J1772 Connector** - North American standard charging connector for electric vehicles with an 18-foot cord for greater reach in parking spaces
- **OCPP 1.6-J Compliant** - Compatible with the Open Charge Point Protocol 1.6-J - preconfigured for AmpUp
- **Estimated Range Per Hour:** Up to 46 miles (48A, 11.5kW)
- **LED Indicator:** Integrated LED light indicates charge status of vehicle - charging, fully charged or if there is a charging issue
- **ETL Listed Single and Back-to-Back Pedestal** - Listed to UL1773 and CSAC22.2 No. 76 - allows for internal connections to be made without a junction box
- **ENERGY STAR® Certified** - Save energy, money, and qualify for incentive programs



- **Accelerated Install** - Factory configured with AmpUp charging solution, streamlining the setup process - just scan the QR code included with the charger and proceed through onboarding process
- **Access Control** - Restrict access to authorized individuals with built-in RFID card reader or with authorization through the AmpUp EV Driver App
- **Community Manager** - Features user-friendly dashboard for managing pricing, revenue collection, and more
- **24/7 Software Support** - AmpUp subscription includes 24/7 support of the EV Charger for both facility managers and users of the charger
- **Subscription** - An AmpUp subscription is required for each installed charger. Visit www.ampup.io to learn more

Vertical Markets

- Commercial
- Multi-Dwelling Units
- Hospitality

Compliance



EV Charger: cETLus Listed to UL2594, UL2231-1/-2 and CSA C22.2 No. 280 Electrical Vehicle Supply Equipment
Pedestal(s) XEVPED1 & XEVPED2: Listed to UL1773 and CSA C22.2 No. 76

Technical Information

PERFORMANCE

Electrical

Input Voltage	208 – 240 VAC
Frequency	50 – 60 Hz
Amperage	Default: 48A (variable from 16A to 48A)
Max Power Output @ 240V	11.5kW @ 48A
Integrated Protection	UVP, OVP, RCD (CCID 20), SPD, Ground Fault Protection OCP, OTP, Control Pilot Fault Protection

Physical

Product Dimensions	14.2" x 9.8" x 3.9"
Net Weight	15.7 lbs
Gross Weight	18.1 lbs
Charge Cable Length	18'
Charge Cable Connector	SAE J1772 compliant
LED Status Indicator	Yes
Charger Body Material	Polycarbonate
Charger Body Finish	Anti-UV Treatment with Silver Automotive Coating

Environmental

Operating Temperature	-22°F to 122°F (-30°C to 50°C)
Enclosure Rating	NEMA 3 (Indoor/Outdoor)
Relative Humidity	Up to 95% Non-condensing

Network / Software

Network Connectivity	Preconfigured Cellular 4G for use in USA & Canada with major cellular providers
RFID Standard	ISO 14443A
RFID Frequency	13.56MHz
OCPP 1.6J Compatible	Preconfigured for AmpUp Charging Solution
Remote Management	AmpUp Charging Solution

Certifications

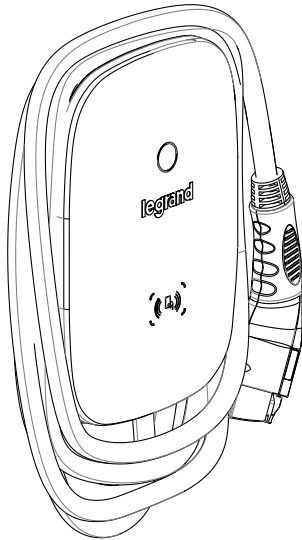
RoHS	Yes
cETLus Listed	EV Charger: Listed to UL2594, UL2231-1/-2 and CSA C22.2 No. 280 Electrical Vehicle Supply Equipment Pedestal(s) XEVPED1 & XEVPED2: Listed to UL1773 and CSA C22.2 No. 76
FCC/IC	Yes
ENERGY STAR® Certified	Yes

Electric Vehicle (EV) Charger Ordering Information

Catalog No./Item

Description/Specifications

LNA-EVC1-48-SV1



48A Networked Electric Vehicle (EV) Charger - Level 2 EV Charger designed for indoor and outdoor use. Comes factory configured with AmpUp Charging Solution and includes cellular 4G connectivity. Subscription with AmpUp is required for operation of charger and allows for remote monitoring and access control of the charger.

Unit is provided in a single variant with a silver finish and 18-foot charging cable with SAE J1772 plug. Includes mounting bracket for on-wall installation. Includes cable management hook with plug holder to be used for wall-mount installations or on the single or dual-sided pedestal.

Note: Charger may be delimited down to 16A if site installation conditions require

Amperage Table

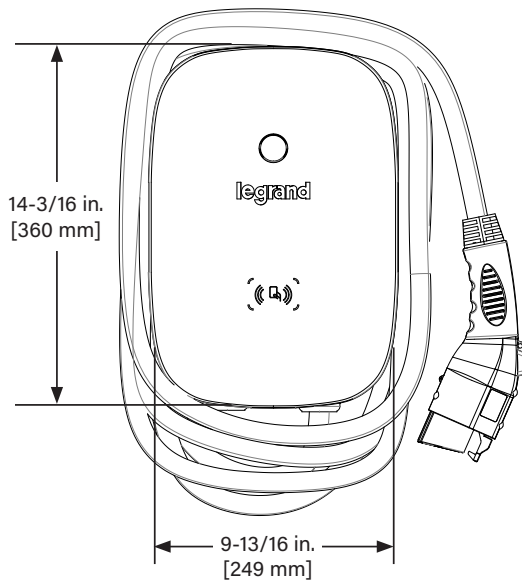
Amperage Setting	Max Output kW	Breaker Required	Miles per Hour of Charge*
48A	11.5 kW	60A	44 miles
40A	9.6 kW	50A	37 miles
32A	7.7 kW	40A	30 miles
16A	3.8 kW	20A	15 miles

*Estimates under ideal conditions, not guaranteed

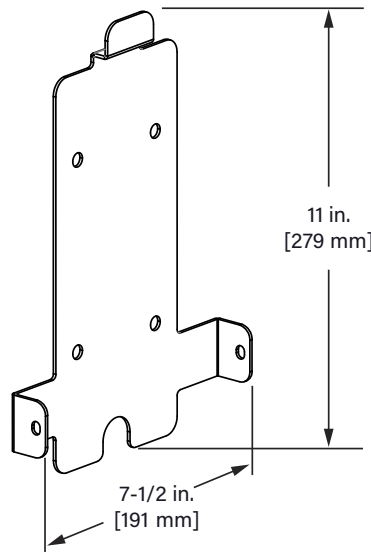
Country of Origin: China

The Commercial EV Charger is available for sale in Canada, with the exception of Quebec.

EV Charger Dimensions



Wall Mounting Bracket (Included with Charger)

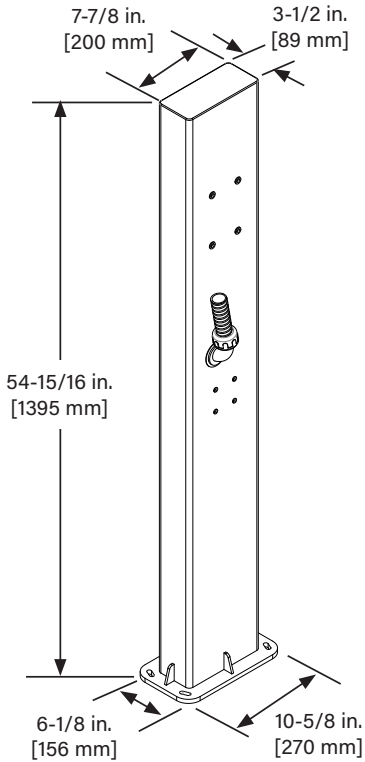


EV Charger Pedestal Ordering Information

Catalog No./Item

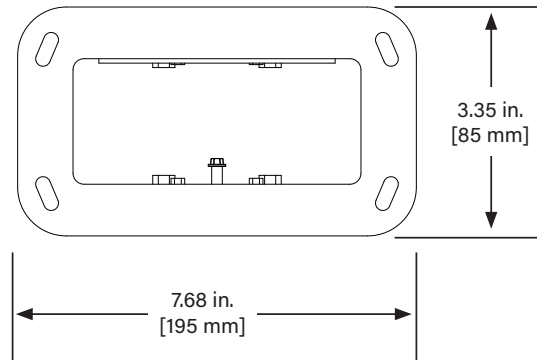
Description/Specifications

XEVPED1

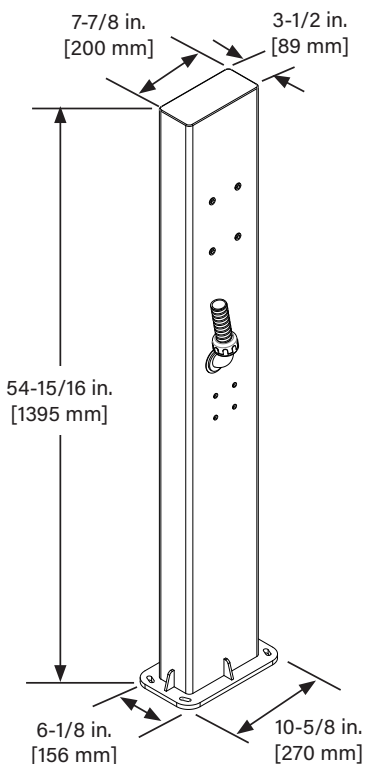


Single-Sided EV Charger Pedestal - Single pedestal accepts one electric vehicle charger. Charger and base cover not included. Pedestal is cETLus Listed to allow for open splices within the pedestal, eliminating the need for a junction box.

Country of Origin: China

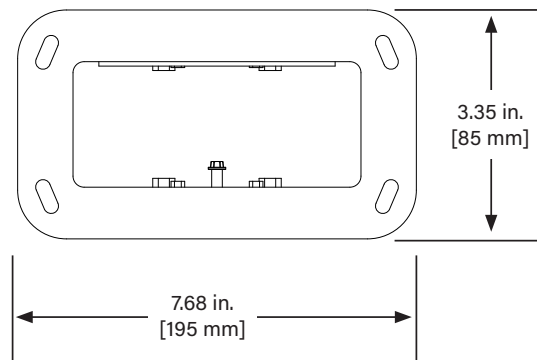


XEVPED2



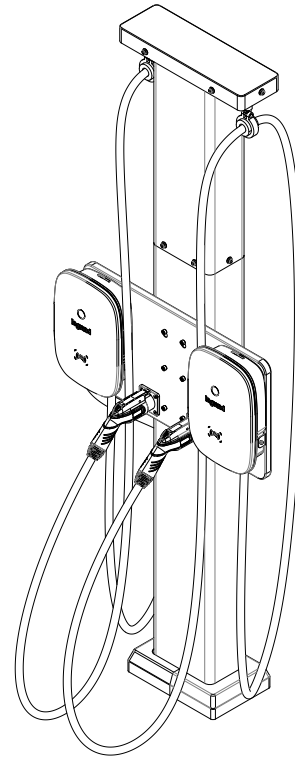
Dual-Sided EV Charger Pedestal - Back-to-back pedestal accepts two electric vehicle chargers. Chargers and base cover are not included. Pedestal is cETLus Listed to allow for open splices within the pedestal, eliminating the need for a junction box.

Country of Origin: China

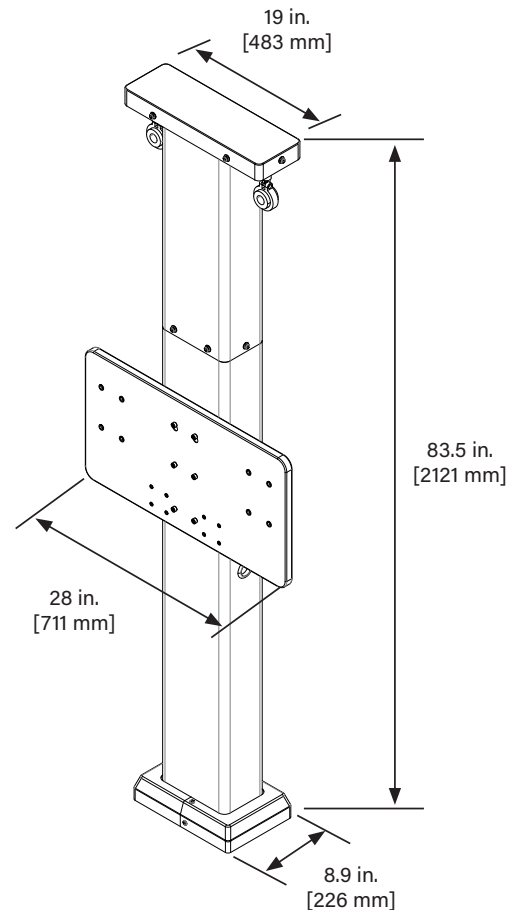
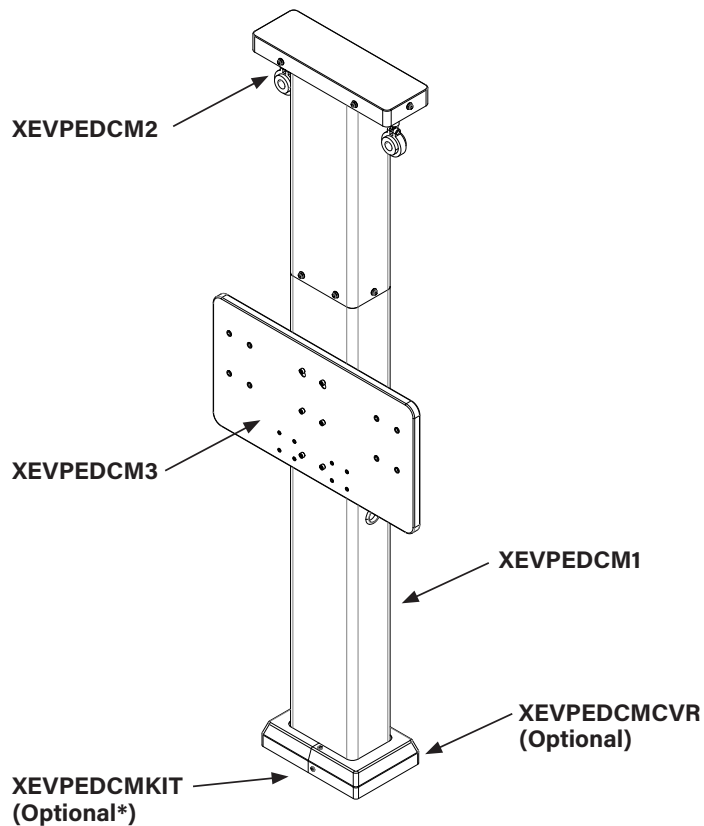


The Legrand Cable Management Pedestal

Install (2) Legrand EV chargers side by side with easy to use cable retractors that keep cables off the ground and looking tidy.



How to order a complete cable management pedestal



*XEVPEDCM1 includes mounting expansion bolts.
XEVPEDCMKIT can be purchased for fresh concrete pour applications

EV Charger Cable Management Pedestal Ordering Information

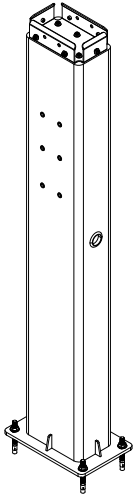
Catalog No./Item

Description/Specifications

XEVPEDCM1

Cable Management EV Charger Base Pedestal - Base pedestal with mounting holes for side by side mounting plate.

Country of Origin: China

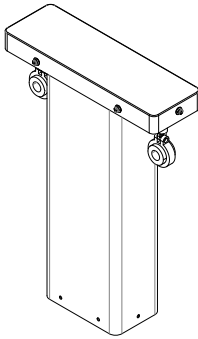


XEVPEDCM2

Cable Management EV Charger Retractor Assembly

Top retractor assembly with (2) retractors and cable holders included.

Country of Origin: China

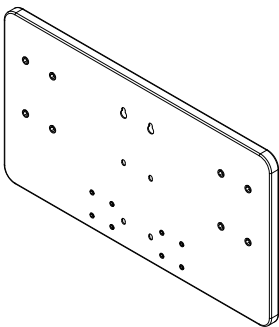


XEVPEDCM3

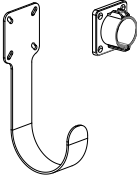
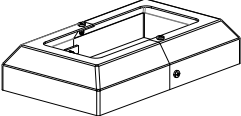
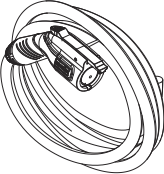
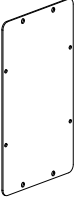
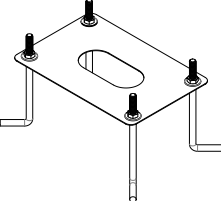
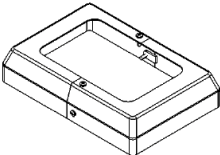

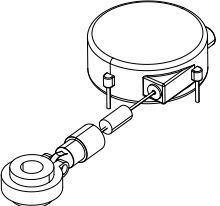
Cable Management EV Charger Side by Side Mounting Plate

Side by side mounting plate for cable management pedestal. Mounts (2) EV chargers and (2) plug holsters.

Country of Origin: China



EV Charger Accessory Ordering Information

Catalog No./Item	Description/Specifications	Catalog No./Item	Description/Specifications
XEVHOOK 	EV Cable Management Hook - Mounting hook provides additional cable management for wall mount installations and includes a plug holder. Country of Origin: China	XEVPEDCVR 	Base Cover - Aesthetic base cover used to cover bottom of single pedestal or back-to-back pedestal. Country of Origin: China
XEVCABLE 	Replacement EV Cable - Replacement 21-foot charging cable with SAE J1772 plug Country of Origin: China	XEVPEDAP 	Replacement Access Panel - Replacement access panel for XEVPED1 and XEVPED2. Country of Origin: China
XEVPEDCMKIT 	Cable Management Anchor Kit - Wet concrete L-bolt anchors and template for cable management pedestal Country of Origin: USA	XEVPEDCMCVR 	Cable Management Base Cover - Aesthetic base cover used to cover bottom of cable management pedestal. Country of Origin: China
XEVPEDCMAP 	Access Panel - Replacement Access Panel for XEVPEDCM1 Country of Origin: China	XEVPEDCMRR 	Cable Management Retractor - Replacement Retractor for XEVPEDCM2. Country of Origin: China

EV Charger Extended Warranty Information:

The Commercial EV Charger is available with an extended warranty. The following part numbers must accompany each charger in which an extended warranty is being sought after. For more information on the warranty guidelines, visit: www.legrand.us/wiremold/warranty/ev-charger

Catalog No./Item	Description/Specifications	Catalog No./Item	Description/Specifications
LNA-EVC1-48-EW3	3-Year Extended Warranty - Extends the Wiremold limited warranty by an extra (2) years beyond the standard 1-year after-installation warranty, for a total of three (3) years. (Parts Only).	LNA-EVC1-48-EW5	5-Year Extended Warranty - Extends the Wiremold limited warranty by an extra (4) years beyond the standard 1-year after-installation warranty, for a total of (5) years. (Parts Only).

NOTE: All brand and product names referenced in this document are registered trademarks or trademarks of their respective holders.