

2

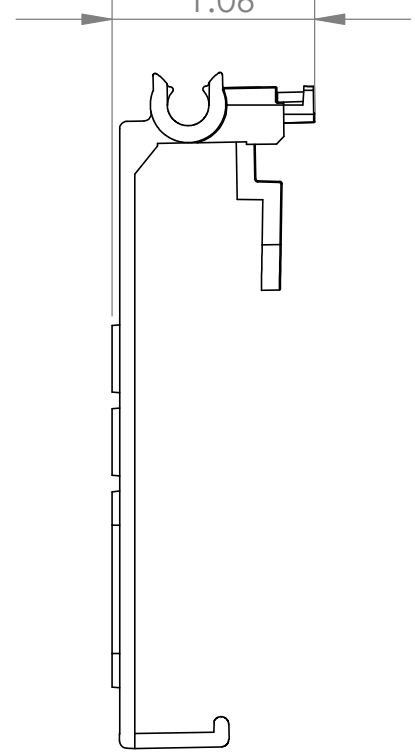
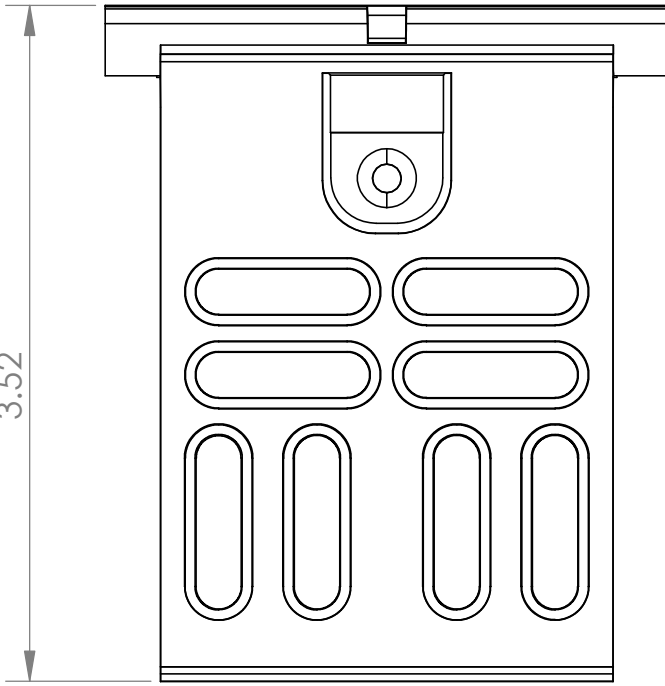
1

B

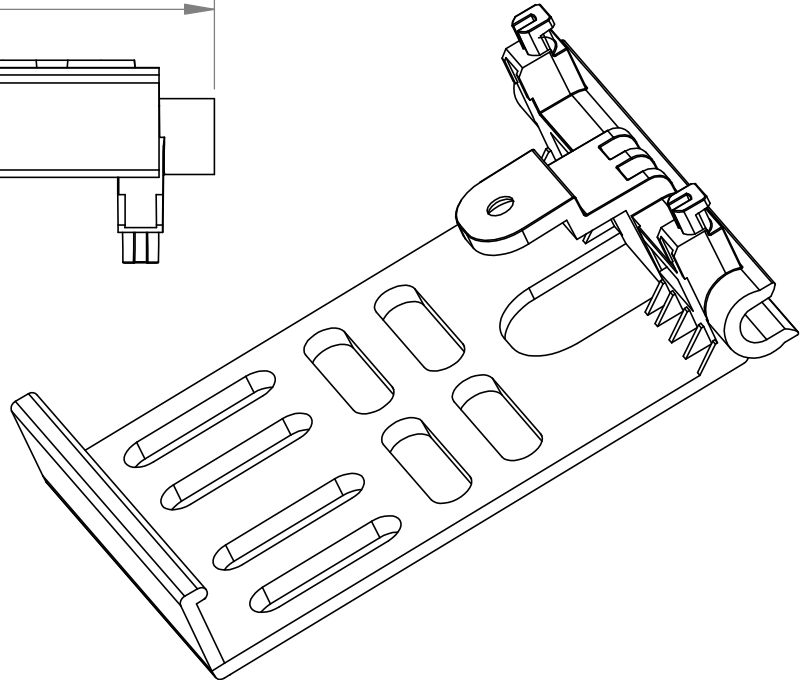
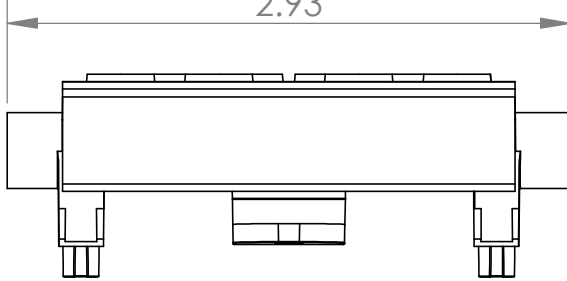
B

[89.38]  
3.52

[26.82]  
1.06



[74.50]  
2.93



A

A

PROPRIETARY AND CONFIDENTIAL  
 THE INFORMATION CONTAINED  
 IN THIS DRAWING IS THE SOLE  
 PROPERTY OF OnQ/LEGRAND.  
 ANY REPRODUCTION IN PART OR  
 AS A WHOLE WITHOUT THE WRITTEN  
 PERMISSION OF OnQ/LEGRAND  
 IS PROHIBITED. DRAWING IS SUBJECT  
 TO CHANGE WITHOUT NOTICE.



P.O. Box 60907  
 Harrisburg, PA 17106-0907  
 1-800-321-2343

TITLE:

# CABLE CHANNEL

SIZE	DWG NO	FILE NAME	CUST REV
<b>A</b>	AC1052-CC	CD-AC1052-CC	A
REVISED DATE	03/29/21	SCALE	SHEET
		1 : 1	1 OF 1

2

1