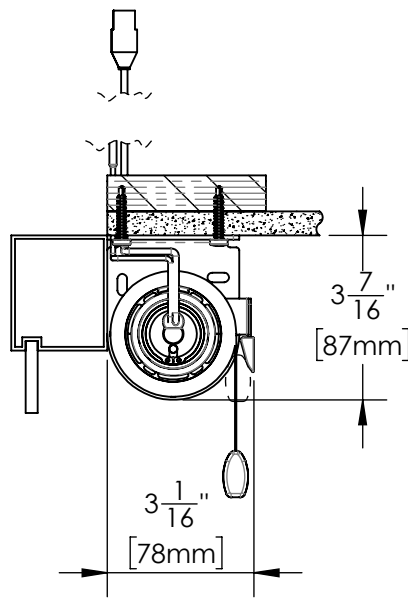
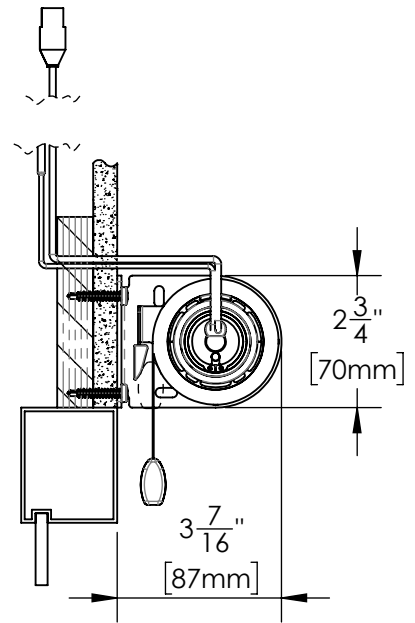


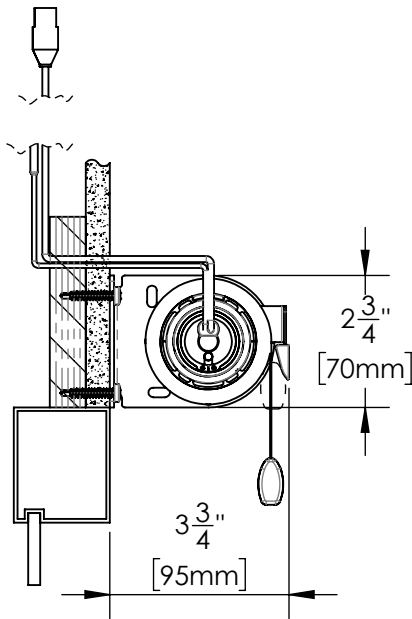
DESIGNER SERIES 2.6" INSIDE TOP MOUNT
STANDARD ROLL USING DLM MOTOR
RLR-DS-1-MO-D-C-S



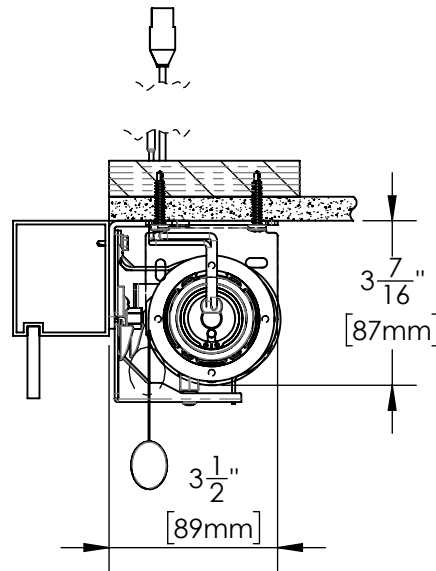
DESIGNER SERIES 2.6" INSIDE TOP MOUNT
REVERSE ROLL USING DLM MOTOR
RLR-DS-1-MO-D-C-R



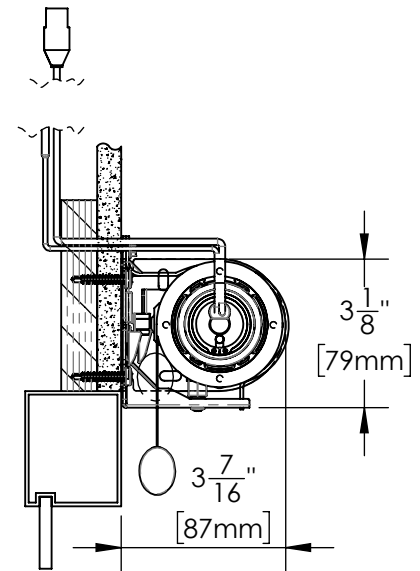
DESIGNER SERIES 2.6" OUTSIDE BACK MOUNT
STANDARD ROLL USING DLM MOTOR
RLR-DS-1-MO-D-A-S



DESIGNER SERIES 2.6" OUTSIDE BACK MOUNT
REVERSE ROLL USING DLM MOTOR
RLR-DS-1-MO-D-A-R



DESIGNER SERIES 2.6" INSIDE TOP MOUNT COUPLED
STANDARD ROLL USING DLM MOTOR
RLR-DS-1-MO-D-C-S-B



DESIGNER SERIES 2.6" OUTSIDE BACK MOUNT
COUPLED STANDARD ROLL USING DLM MOTOR
RLR-DS-1-MO-D-A-S-B



Shading Systems

Phone: 1-833-456-4291
Technical Support E-mail:
shading.cs@legrand.us

DESIGNER SERIES (DS) SHADES

PROJECT:

2.6" SHADES

DATE:

2/3/2022

SCALE:

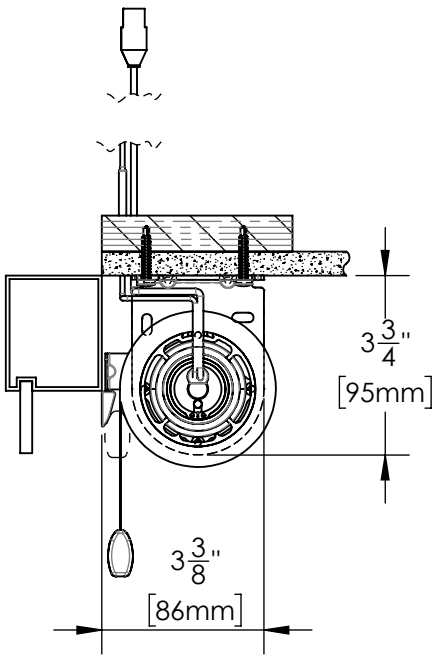
1:4

FILE No.

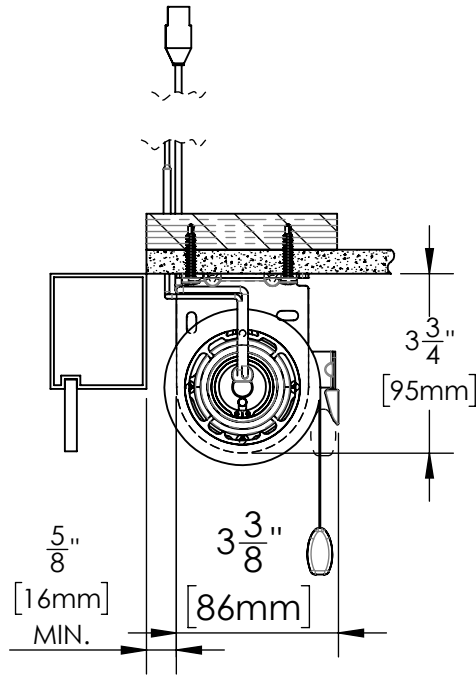
-

DWG. No.

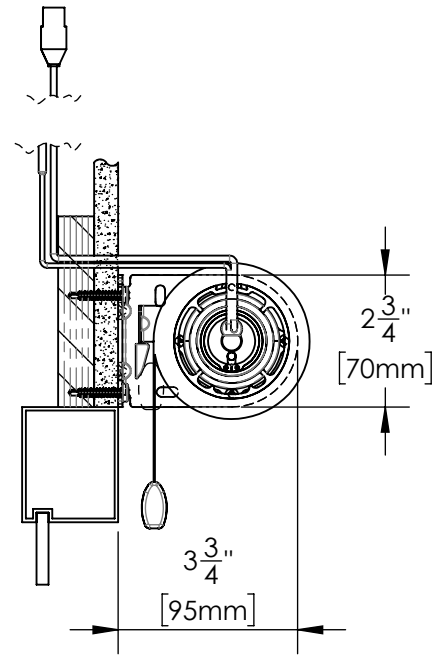
SEE SHEETS



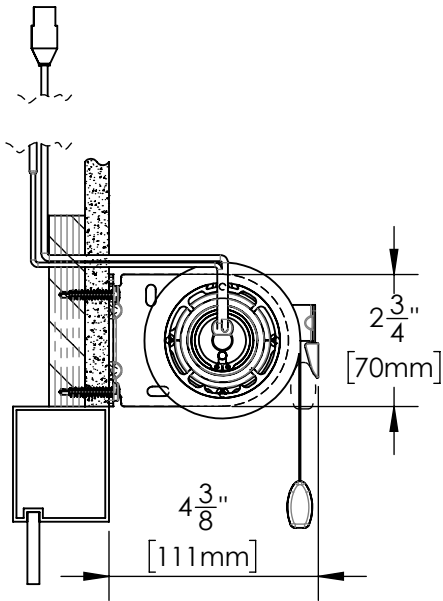
DESIGNER SERIES 3.3" INSIDE TOP MOUNT
STANDARD ROLL USING DLM MOTOR
RLR-DS-2-MO-D-C-S



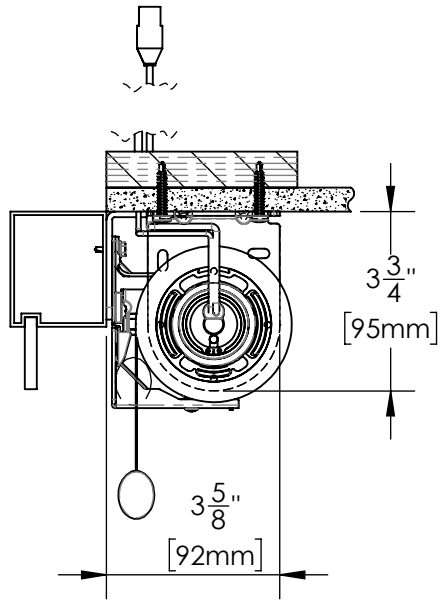
DESIGNER SERIES 3.3" INSIDE TOP MOUNT
REVERSE ROLL USING DLM MOTOR
RLR-DS-2-MO-D-C-R



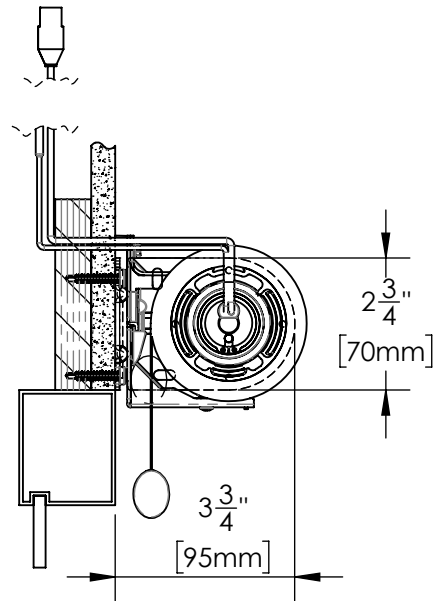
DESIGNER SERIES 3.3" OUTSIDE BACK MOUNT
STANDARD ROLL USING DLM MOTOR
RLR-DS-2-MO-D-A-S



DESIGNER SERIES 3.3" OUTSIDE BACK MOUNT
REVERSE ROLL USING DLM MOTOR
RLR-DS-2-MO-D-A-R



DESIGNER SERIES 3.3" INSIDE TOP MOUNT
COUPLED STANDARD ROLL USING DLM MOTOR
RLR-DS-2-MO-D-C-S-B



DESIGNER SERIES 3.3" OUTSIDE BACK MOUNT
COUPLED STANDARD ROLL USING DLM MOTOR
RLR-DS-2-MO-D-A-S-B



Shading Systems

Phone: 1-833-456-4291
Technical Support E-mail:
shading.cs@legrand.us

DESIGNER SERIES (DS) SHADES

PROJECT:

3.3" SHADES

DATE:

2/3/2022

SCALE:

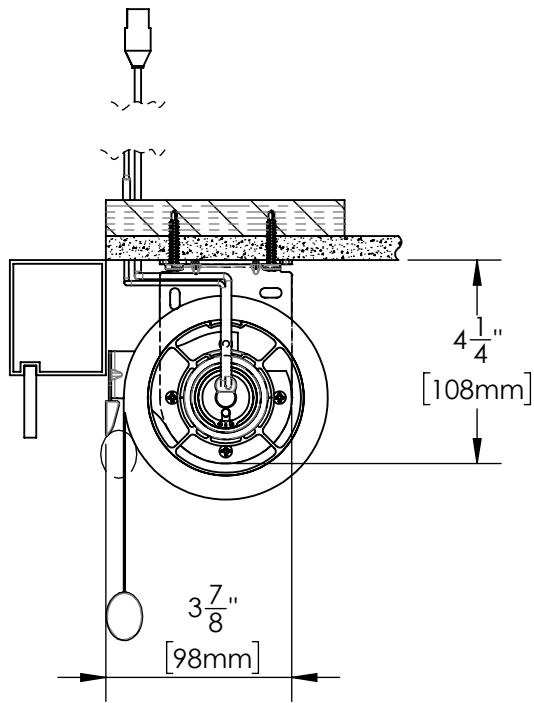
1:4

FILE No.

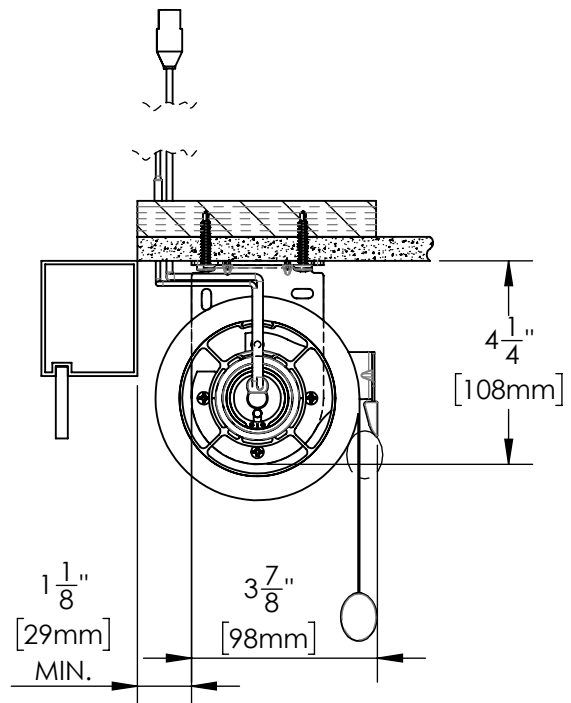
-

DWG. No.

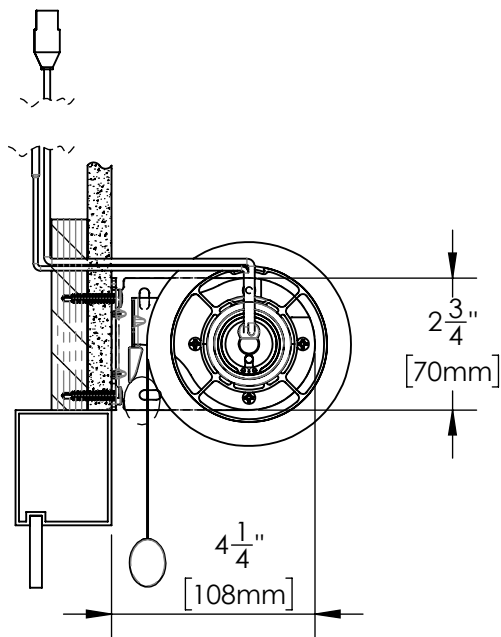
SEE SHEETS



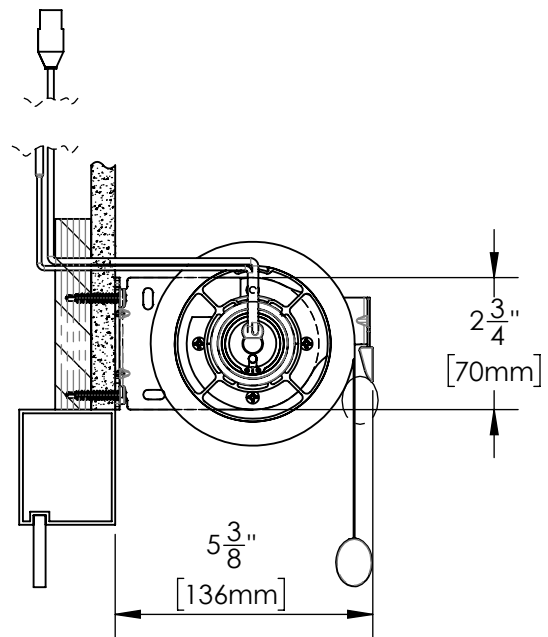
DESIGNER SERIES 4.3" INSIDE TOP MOUNT
STANDARD ROLL USING DLM MOTOR
RLR-DS-3-MO-D-C-S



DESIGNER SERIES 4.3" INSIDE TOP MOUNT
REVERSE ROLL USING DLM MOTOR
RLR-DS-3-MO-D-C-R



DESIGNER SERIES 4.3" OUTSIDE BACK MOUNT
STANDARD ROLL USING DLM MOTOR
RLR-DS-3-MO-D-A-S



DESIGNER SERIES 4.3" OUTSIDE BACK MOUNT
REVERSE ROLL USING DLM MOTOR
RLR-DS-3-MO-D-A-R



Shading Systems

Phone: 1-833-456-4291
Technical Support E-mail:
shading.cs@legrand.us

DESIGNER SERIES (DS) SHADES

PROJECT:

4.3" SHADES

DATE:

2/3/2022

SCALE:

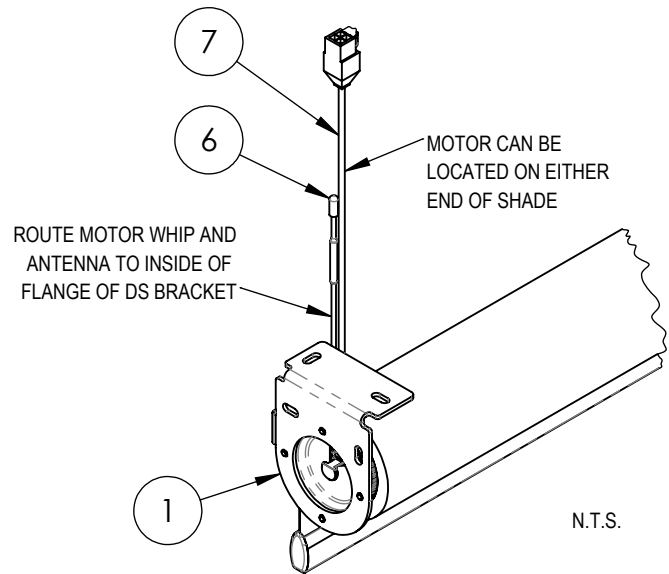
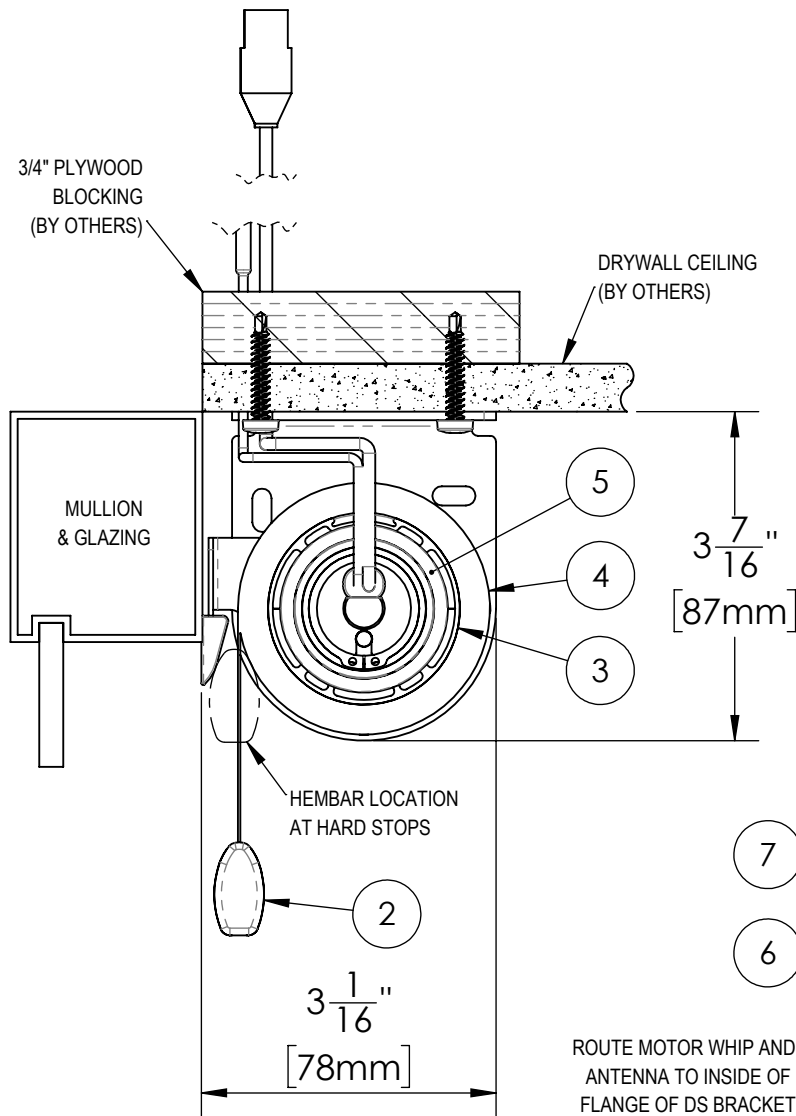
1:4

FILE No.

-

DWG. No.

SEE SHEETS



NOTES:

- 1. 2.6" DS MOTORIZED BRACKET
- 2. OVAL HEMBAR
- 3. 2" DIA. EXTRUDED ALUMINUM TUBE
- 4. FABRIC ROLL
- 5. DLM MOTOR
- 6. ANTENNA
- 7. MOTOR WHIP



Shading Systems

Phone: 1-833-456-4291
 Technical Support E-mail:
 shading.cs@legrand.us

**DESIGNER SERIES 2.6" INSIDE TOP MOUNT
 STANDARD ROLL USING DLM MOTOR**

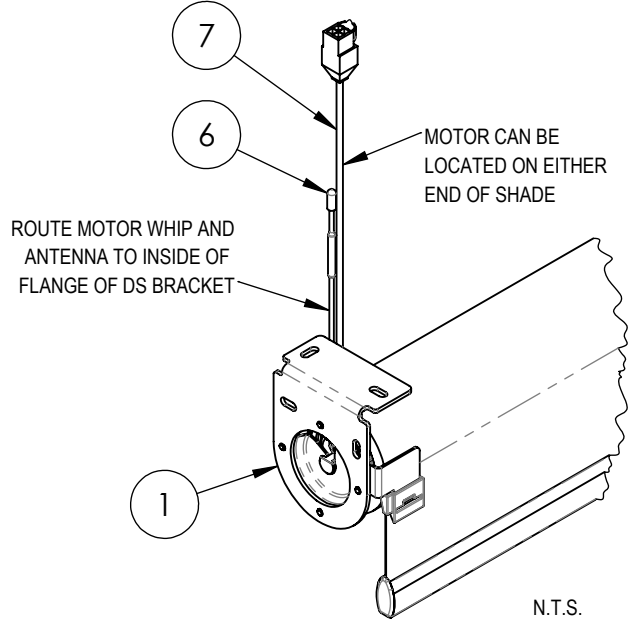
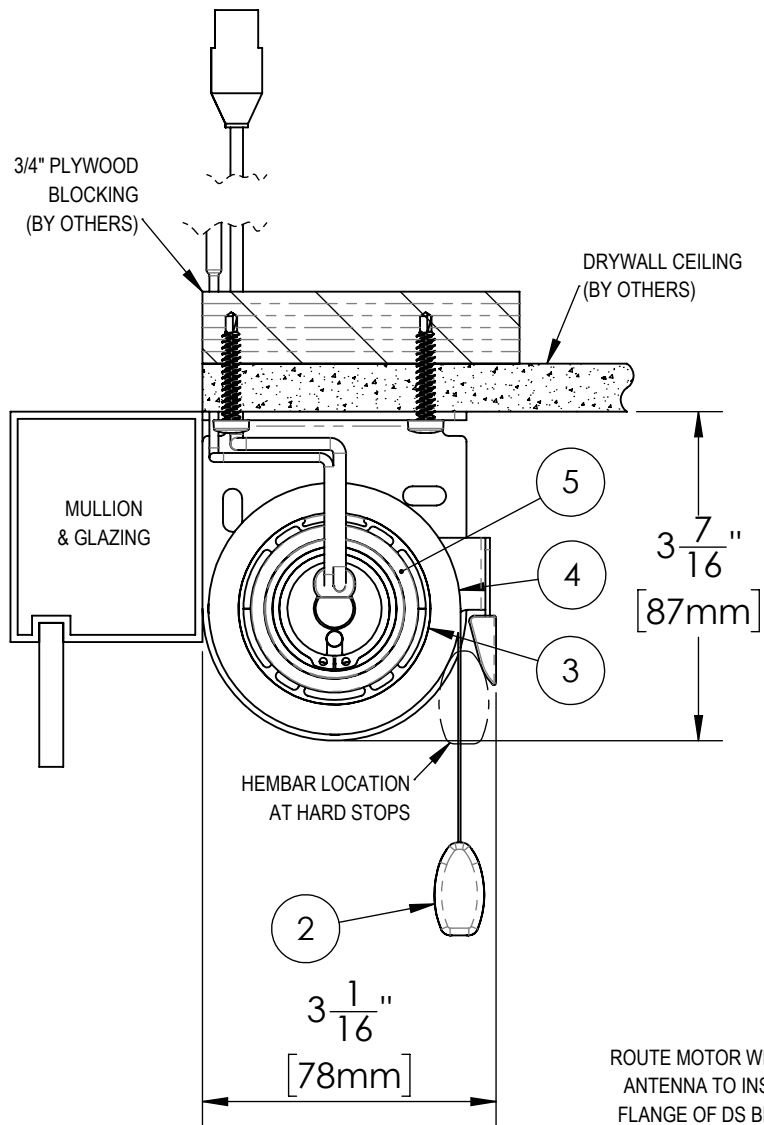
PROJECT: -

DATE: 12/14/2021

SCALE: 1:2

FILE No. -

DWG. No. RLR-DS-1-MO-D-C-S



NOTES:

- 1. 2.6" DS MOTORIZED BRACKET
- 2. OVAL HEMBAR
- 3. 2" DIA. EXTRUDED ALUMINUM TUBE
- 4. FABRIC ROLL
- 5. DLM MOTOR
- 6. ANTENNA
- 7. MOTOR WHIP

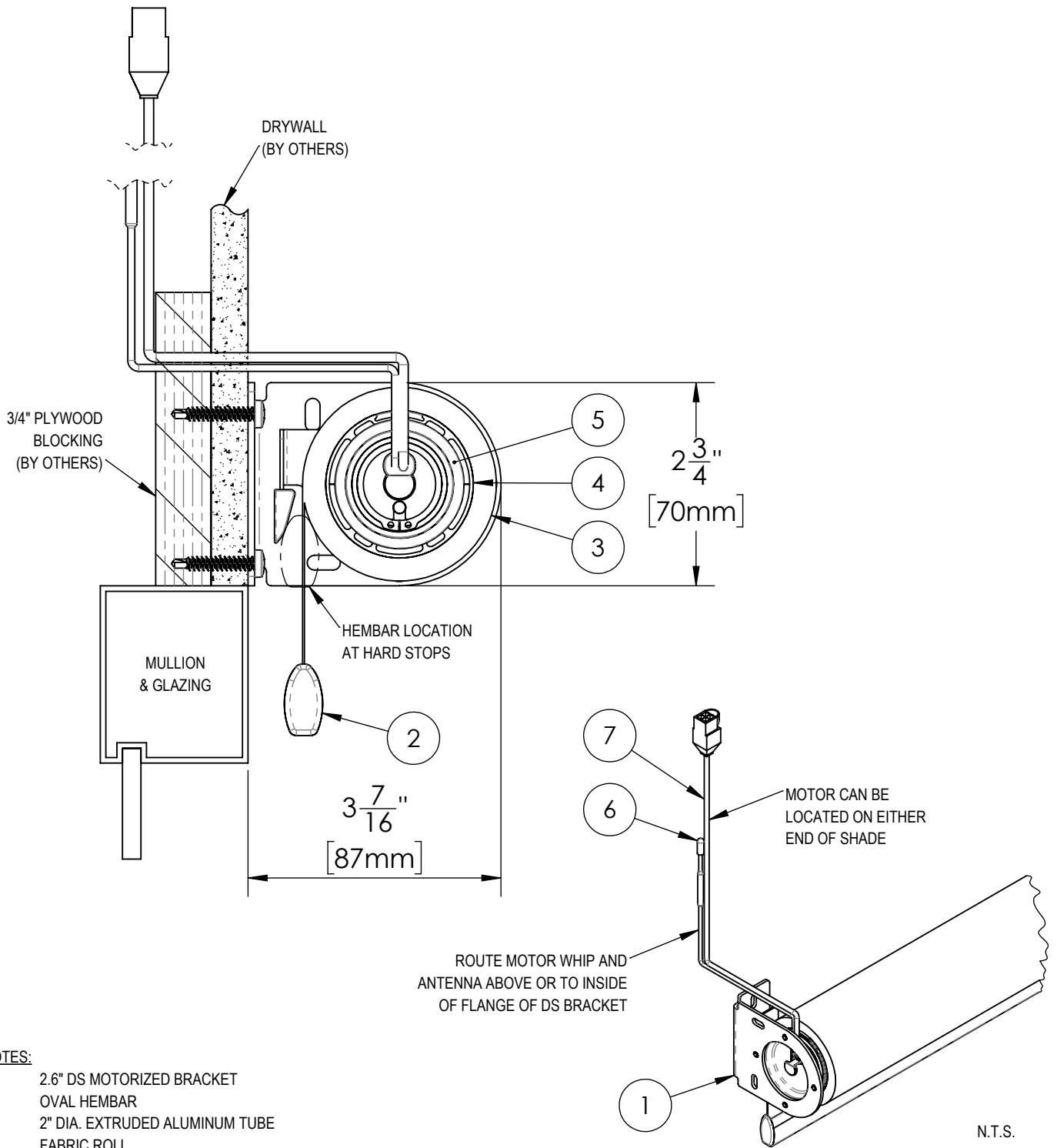


Shading Systems

Phone: 1-833-456-4291
 Technical Support E-mail:
 shading.cs@legrand.us

**DESIGNER SERIES 2.6" INSIDE TOP MOUNT
 REVERSE ROLL USING DLM MOTOR**

PROJECT: -			
DATE: 12/22/2021	SCALE: 1:2	FILE No. -	DWG. No. RLR-DS-1-MO-D-C-R



NOTES:

- 1. 2.6" DS MOTORIZED BRACKET
- 2. OVAL HEMBAR
- 3. 2" DIA. EXTRUDED ALUMINUM TUBE
- 4. FABRIC ROLL
- 5. DLM MOTOR
- 6. ANTENNA
- 7. MOTOR WHIP

N.T.S.



Shading Systems

Phone: 1-833-456-4291
 Technical Support E-mail:
 shading.cs@legrand.us

**DESIGNER SERIES 2.6" OUTSIDE BACK MOUNT
 STANDARD ROLL USING DLM MOTOR**

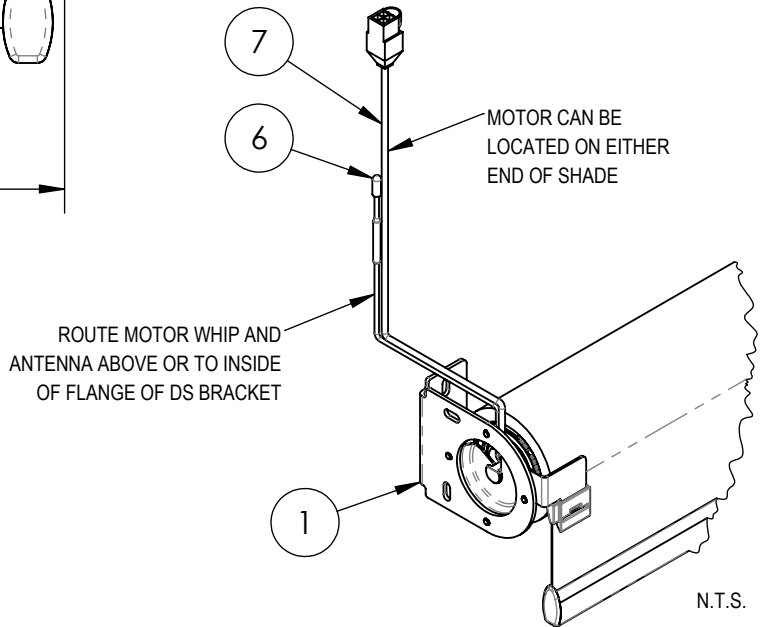
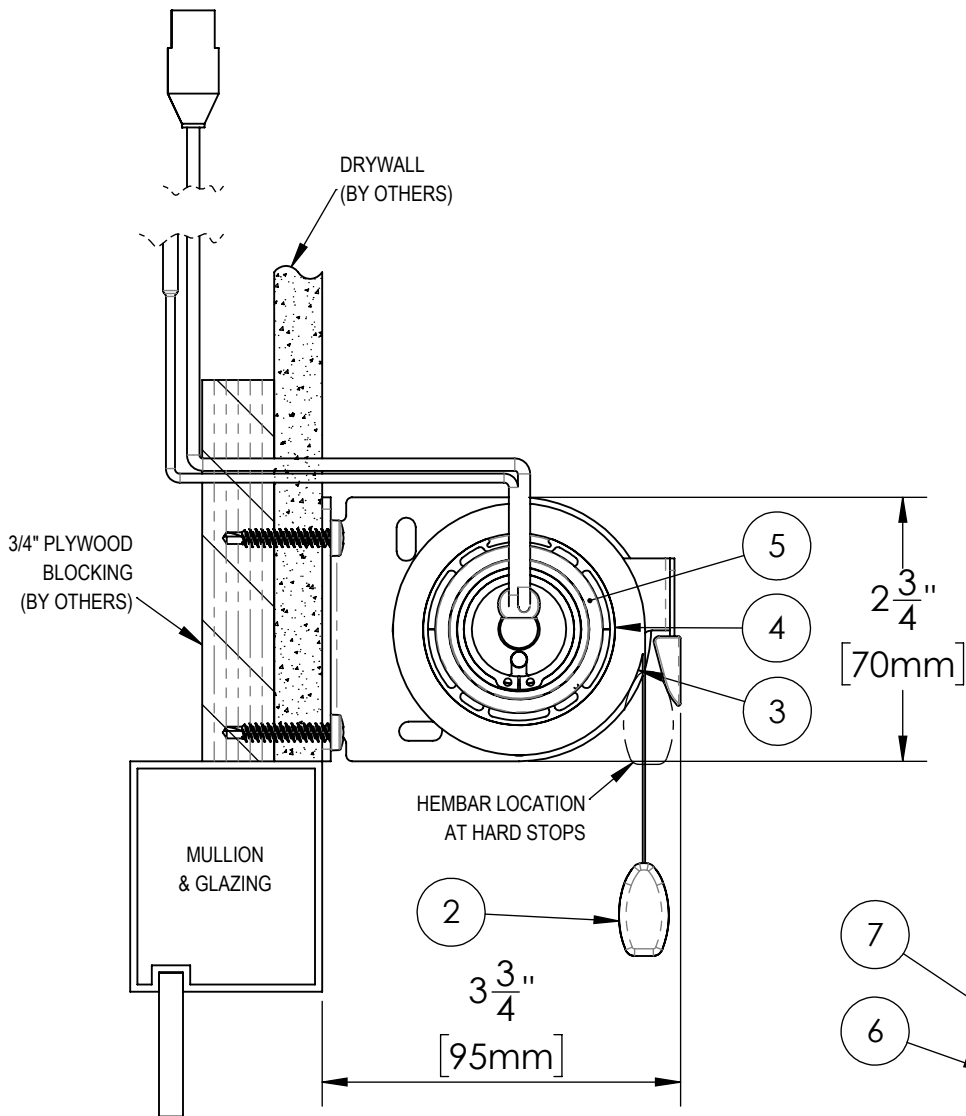
PROJECT: -

DATE: 12/14/2021

SCALE: 1:2

FILE No. -

DWG. No. RLR-DS-1-MO-D-A-S



NOTES:

1. 2.6" DS MOTORIZED BRACKET
2. OVAL HEMBAR
3. 2" DIA. EXTRUDED ALUMINUM TUBE
4. FABRIC ROLL
5. DLM MOTOR
6. ANTENNA
7. MOTOR WHIP



Shading Systems

Phone: 1-833-456-4291
 Technical Support E-mail:
 shading.cs@legrand.us

**DESIGNER SERIES 2.6" OUTSIDE BACK MOUNT
 REVERSE ROLL USING DLM MOTOR**

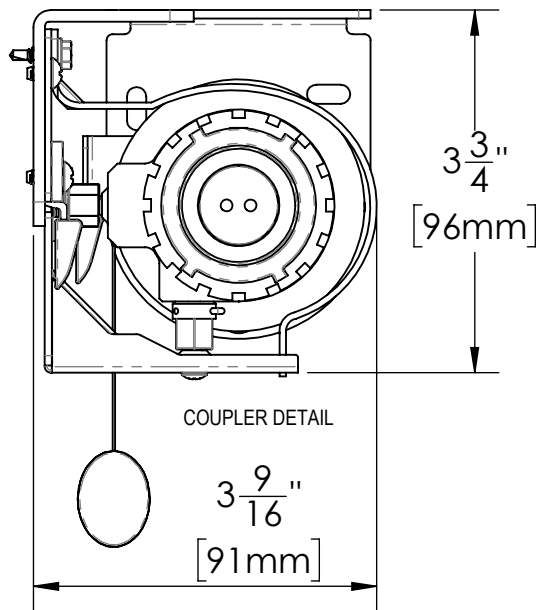
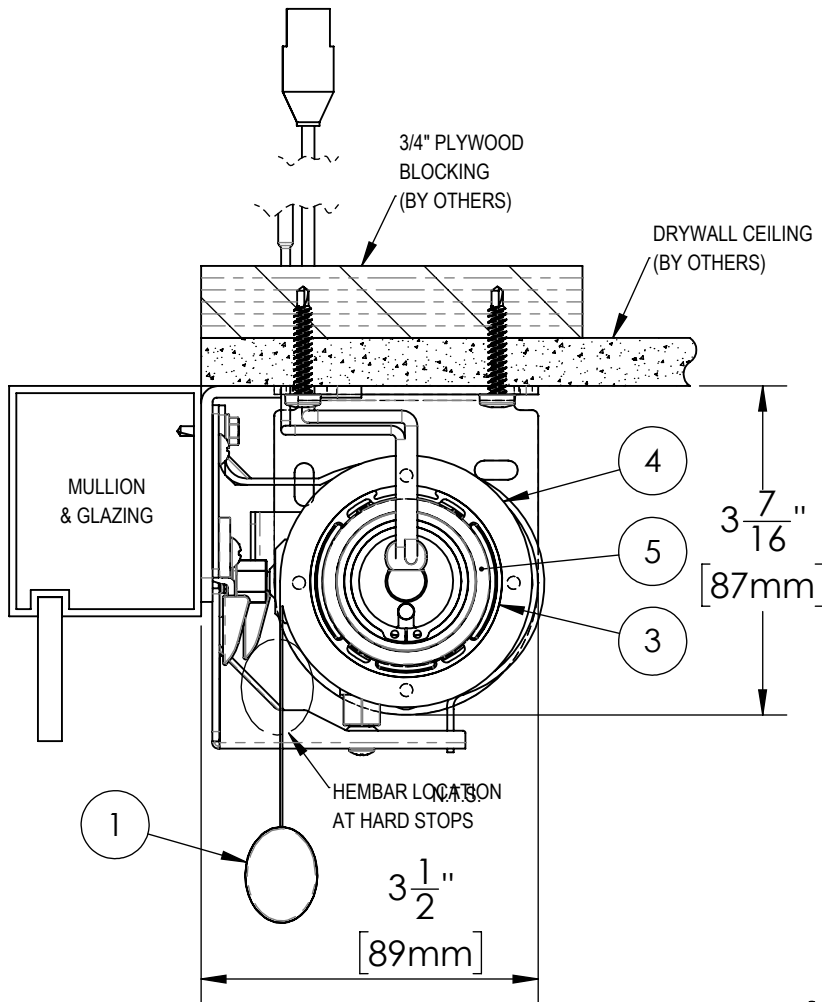
PROJECT: -

DATE: 12/22/2021

SCALE: 1:2

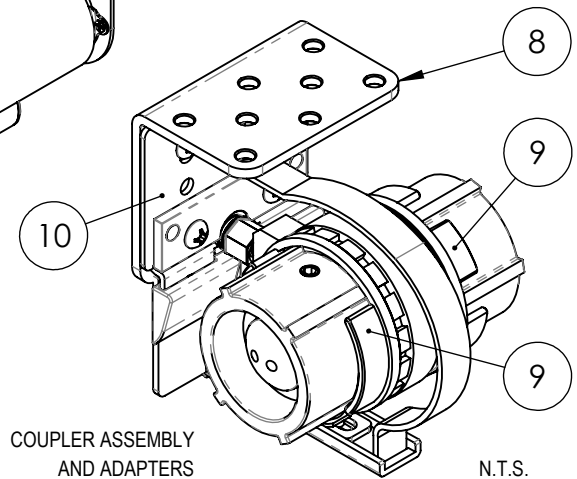
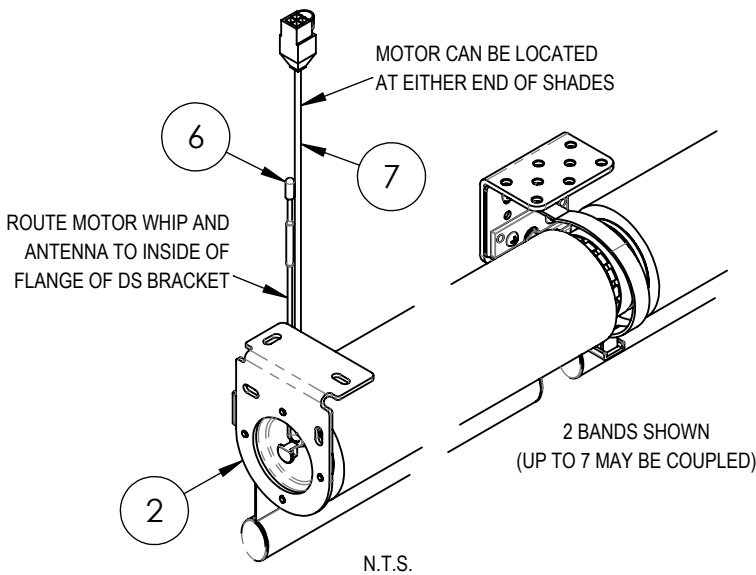
FILE No. -

DWG. No. RLR-DS-1-MO-D-A-R



NOTES:

1. 3/4" HEMBARs
2. DS MOTORIZED BRACKETS
3. 2" DIA. EXTRUDED ALUMINUM TUBES
4. FABRIC ROLLS
5. DLM MOTOR
6. ANTENNA
7. MOTOR WHIP
8. TOP MOUNT "L"-BRACKET
9. COUPLER ADAPTERS
10. COUPLER ASSEMBLY (NO FASCIA BRACKET)



Shading Systems

Phone: 1-833-456-4291
 Technical Support E-mail:
 shading.cs@legrand.us

**DESIGNER SERIES 2.6" INSIDE TOP MOUNT
 COUPLED STANDARD ROLL USING DLM MOTOR**

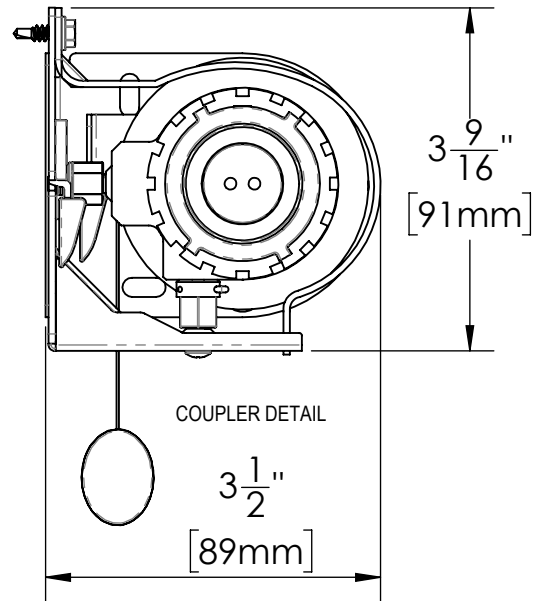
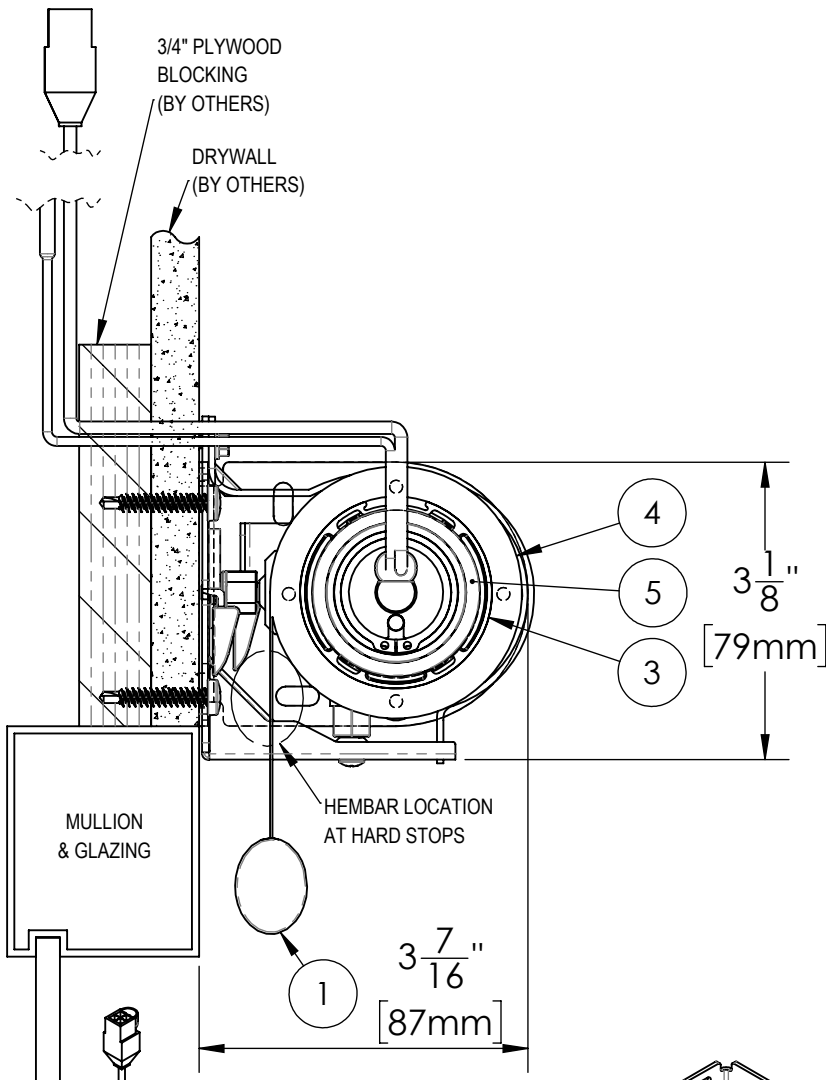
PROJECT: -

DATE: 1/3/2022

SCALE: 1:2

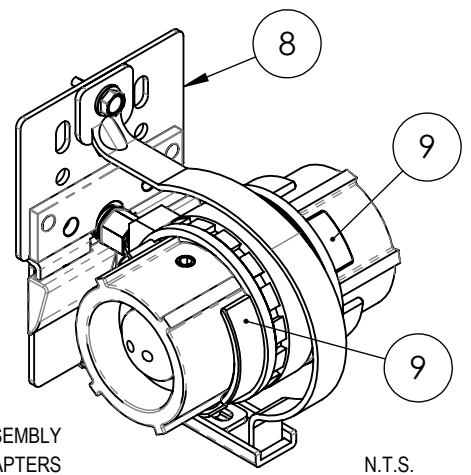
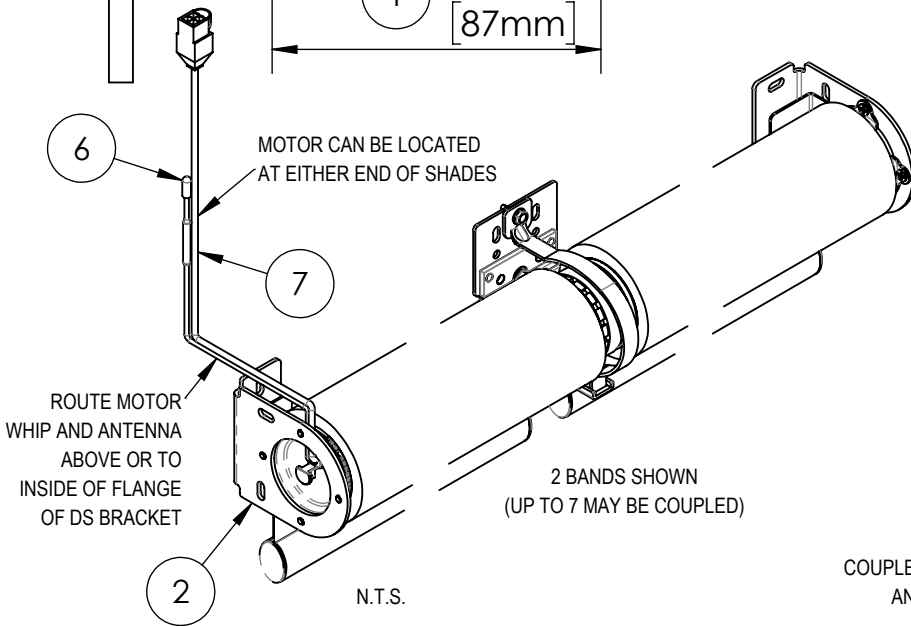
FILE No. -

DWG. No. RLR-DS-1-MO-D-C-S-B



NOTES:

1. 3/4" HEMBARS
2. DS MOTORIZED BRACKETS
3. 2.4" DIA. EXTRUDED ALUMINUM TUBES
4. FABRIC ROLLS
5. DLM MOTOR
6. ANTENNA
7. MOTOR WHIP
8. COUPLER ASSEMBLY (NO FASCIA BRACKET)
9. COUPLER ADAPTERS



Shading Systems

Phone: 1-833-456-4291
 Technical Support E-mail:
 shading.cs@legrand.us

**DESIGNER SERIES 2.6" OUTSIDE BACK MOUNT
 COUPLED STANDARD ROLL USING DLM MOTOR**

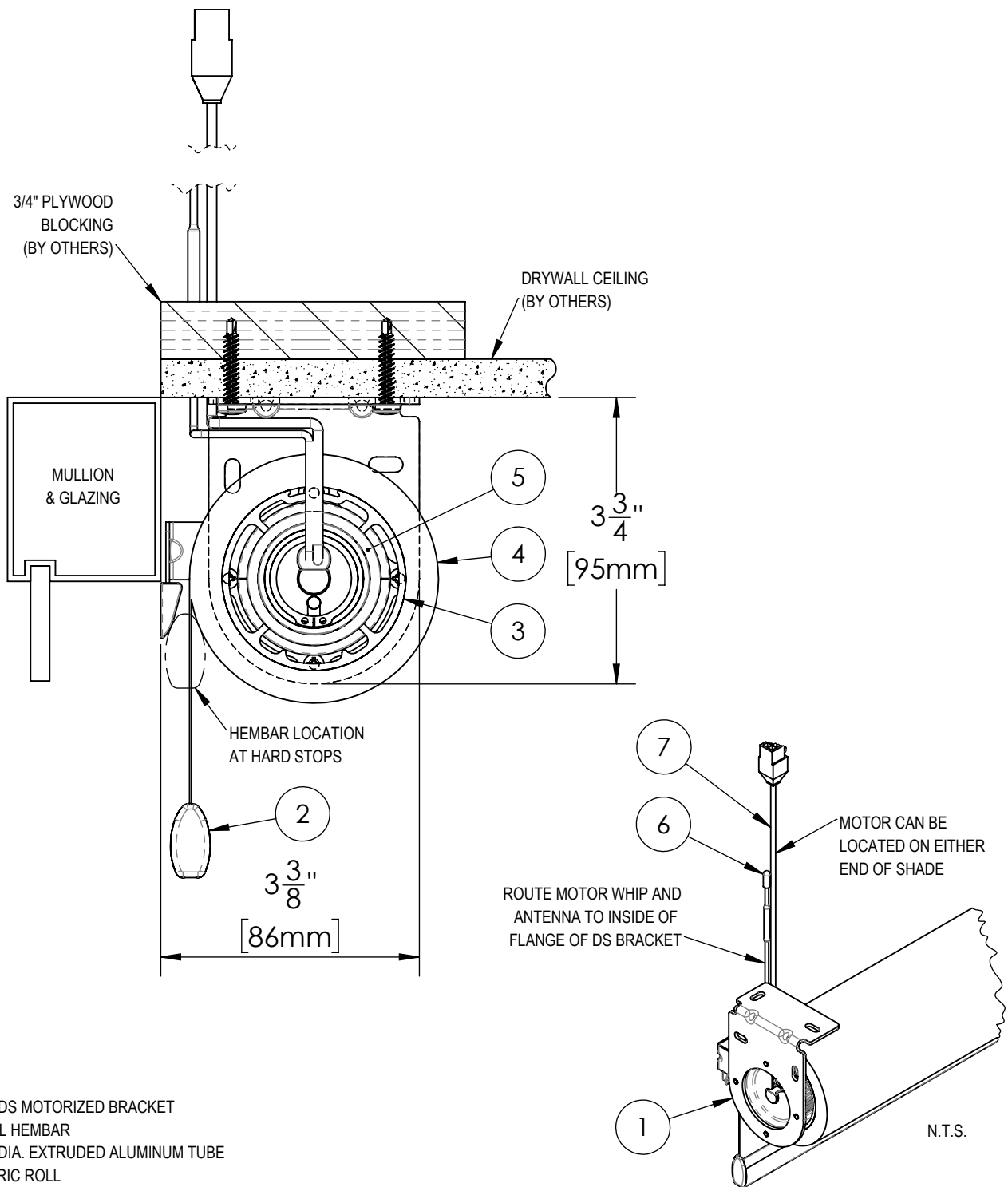
PROJECT: -

DATE: 1/9/2022

SCALE: 1:2

FILE No. -

DWG. No. RLR-DS-1-MO-D-A-S-B



NOTES:

1. 3.3" DS MOTORIZED BRACKET
2. OVAL HEMBAR
3. 2.4" DIA. EXTRUDED ALUMINUM TUBE
4. FABRIC ROLL
5. DLM MOTOR
6. ANTENNA
7. MOTOR WHIP



Shading Systems

Phone: 1-833-456-4291
 Technical Support E-mail:
 shading.cs@legrand.us

**DESIGNER SERIES 3.3" INSIDE TOP MOUNT
 STANDARD ROLL USING DLM MOTOR**

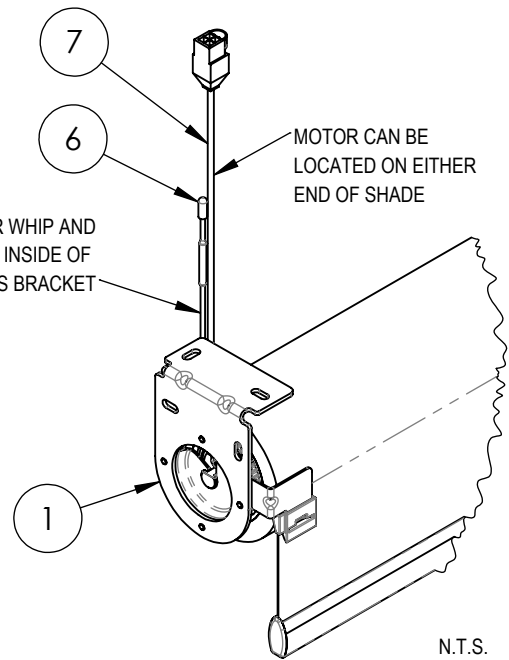
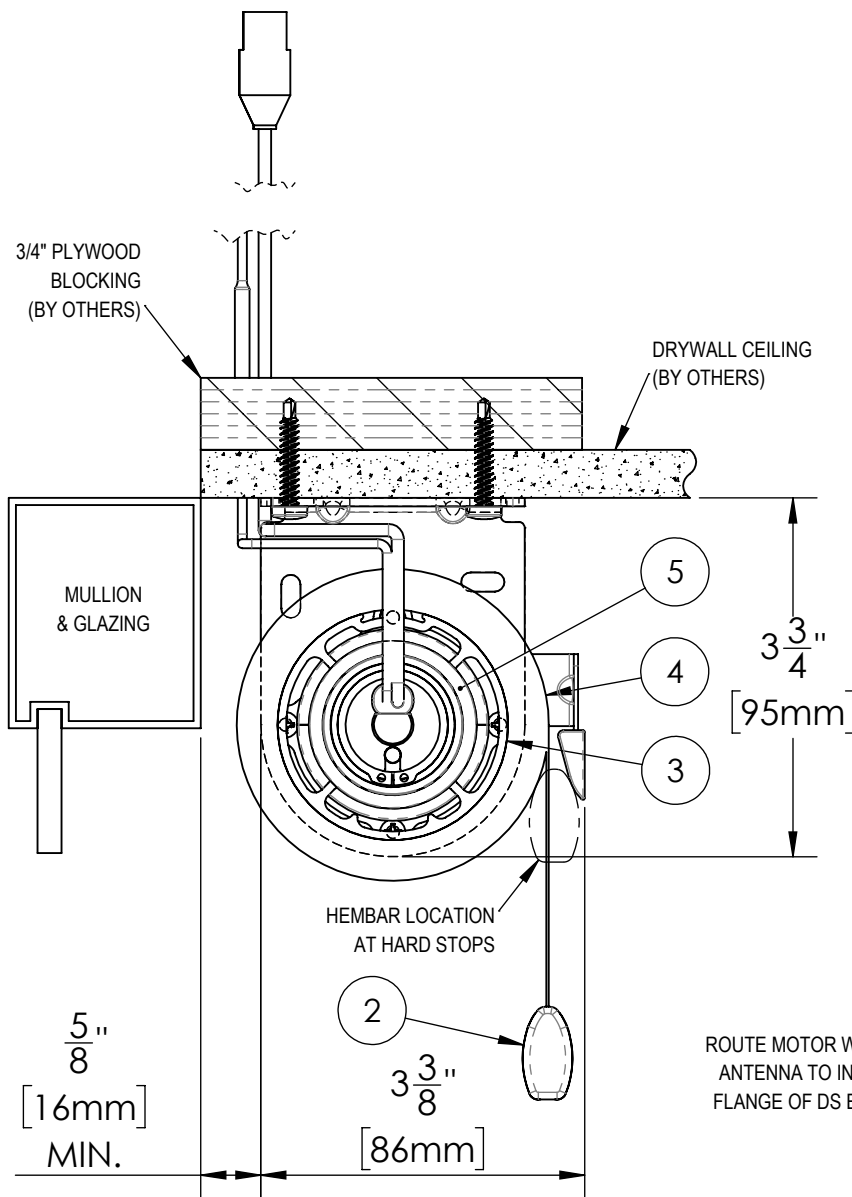
PROJECT: -

DATE: 12/23/2021

SCALE: 1:2

FILE No. -

DWG. No. RLR-DS-2-MO-D-C-S



NOTES:

1. 3.3" DS MOTORIZED BRACKET
2. OVAL HEMBAR
3. 2.4" DIA. EXTRUDED ALUMINUM TUBE
4. FABRIC ROLL
5. DLM MOTOR
6. ANTENNA
7. MOTOR WHIP

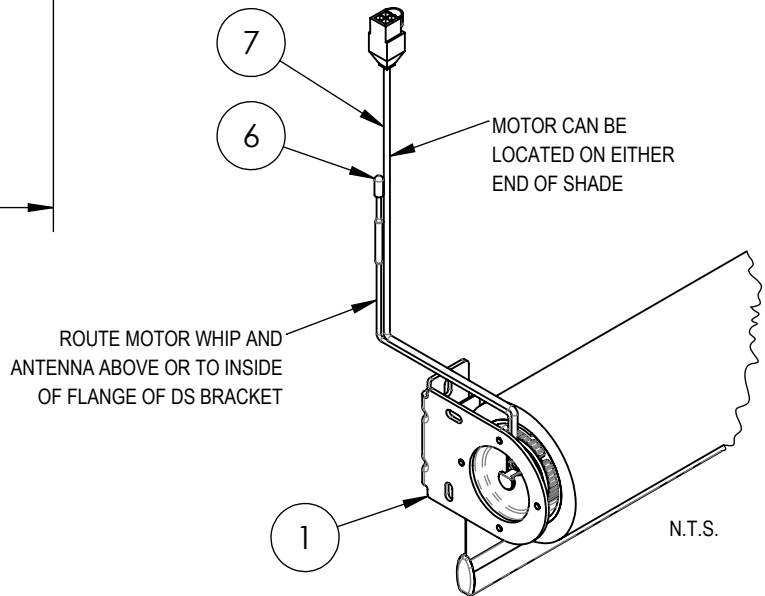
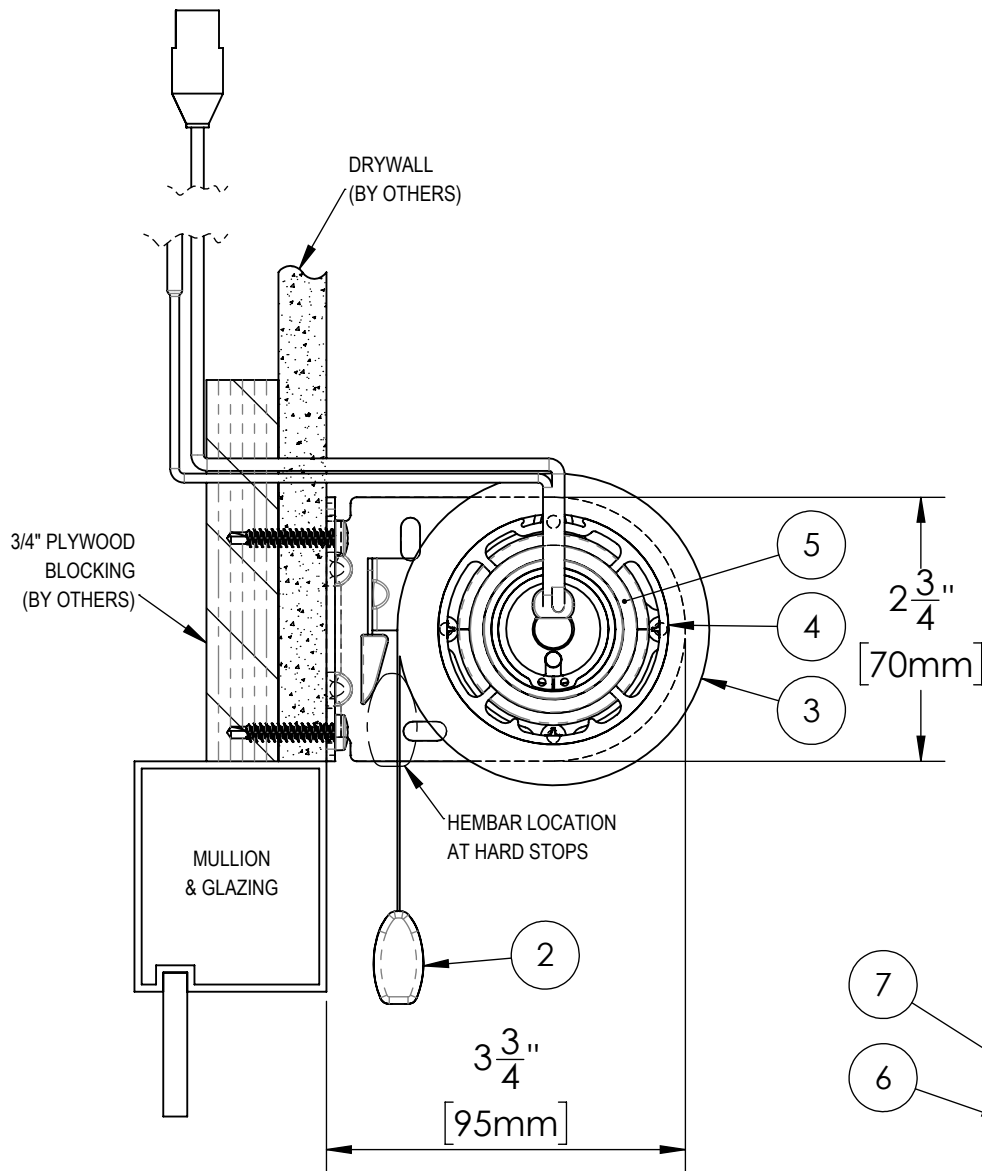


Shading Systems

Phone: 1-833-456-4291
 Technical Support E-mail:
 shading.cs@legrand.us

**DESIGNER SERIES 3.3" INSIDE TOP MOUNT
 REVERSE ROLL USING DLM MOTOR**

PROJECT: -			
DATE: 12/23/2021	SCALE: 1:2	FILE No. -	DWG. No. RLR-DS-2-MO-D-C-R



NOTES:

- 1. 3.3" DS MOTORIZED BRACKET
- 2. OVAL HEMBAR
- 3. 2.4" DIA. EXTRUDED ALUMINUM TUBE
- 4. FABRIC ROLL
- 5. DLM MOTOR
- 6. ANTENNA
- 7. MOTOR WHIP

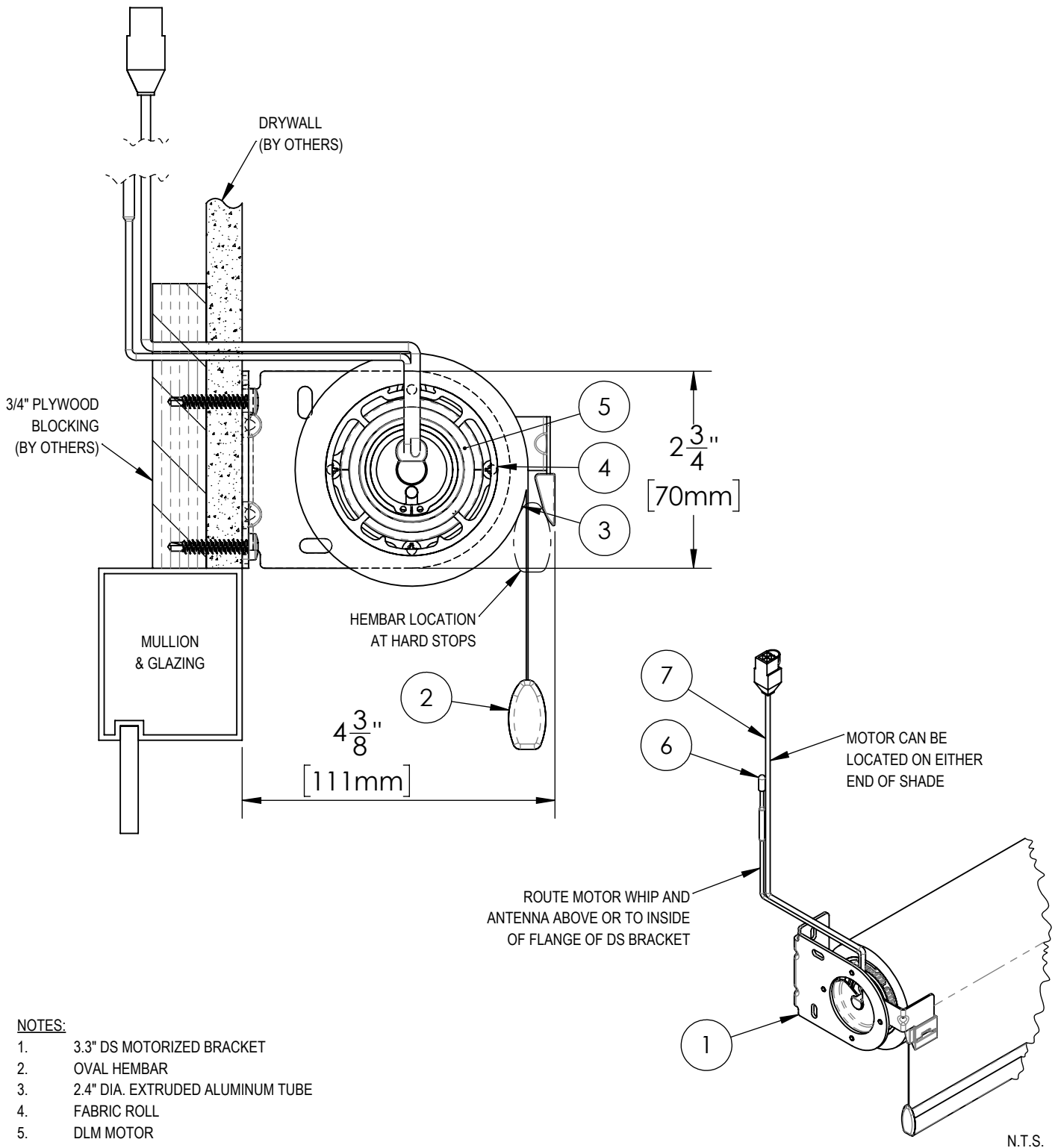


Shading Systems

Phone: 1-833-456-4291
 Technical Support E-mail:
 shading.cs@legrand.us

**DESIGNER SERIES 3.3" OUTSIDE BACK MOUNT
 STANDARD ROLL USING DLM MOTOR**

PROJECT: -			
DATE: 12/24/2021	SCALE: 1:2	FILE No. -	DWG. No. RLR-DS-2-MO-D-A-S



NOTES:

- 1. 3.3" DS MOTORIZED BRACKET
- 2. OVAL HEMBAR
- 3. 2.4" DIA. EXTRUDED ALUMINUM TUBE
- 4. FABRIC ROLL
- 5. DLM MOTOR
- 6. ANTENNA
- 7. MOTOR WHIP



Shading Systems

Phone: 1-833-456-4291
 Technical Support E-mail:
 shading.cs@legrand.us

**DESIGNER SERIES 3.3" OUTSIDE BACK MOUNT
 REVERSE ROLL USING DLM MOTOR**

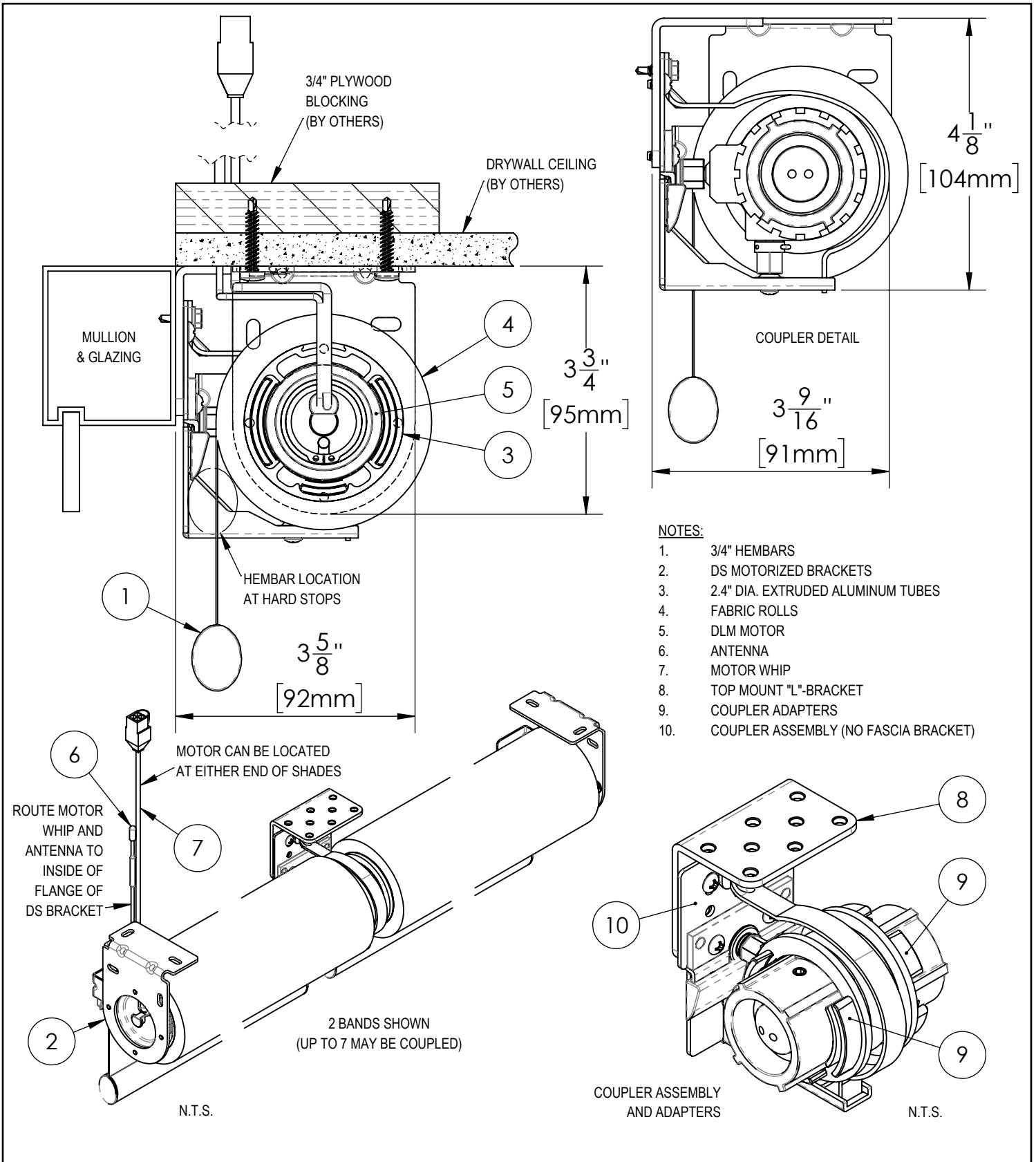
PROJECT: -

DATE: 12/25/2021

SCALE: 1:2

FILE No. -

DWG. No. RLR-DS-2-MO-D-A-R



Shading Systems

Phone: 1-833-456-4291
 Technical Support E-mail:
 shading.cs@legrand.us

**DESIGNER SERIES 3.3" INSIDE TOP MOUNT
 COUPLED STANDARD ROLL USING DLM MOTOR**

PROJECT: -

DATE:

1/2/2022

SCALE:

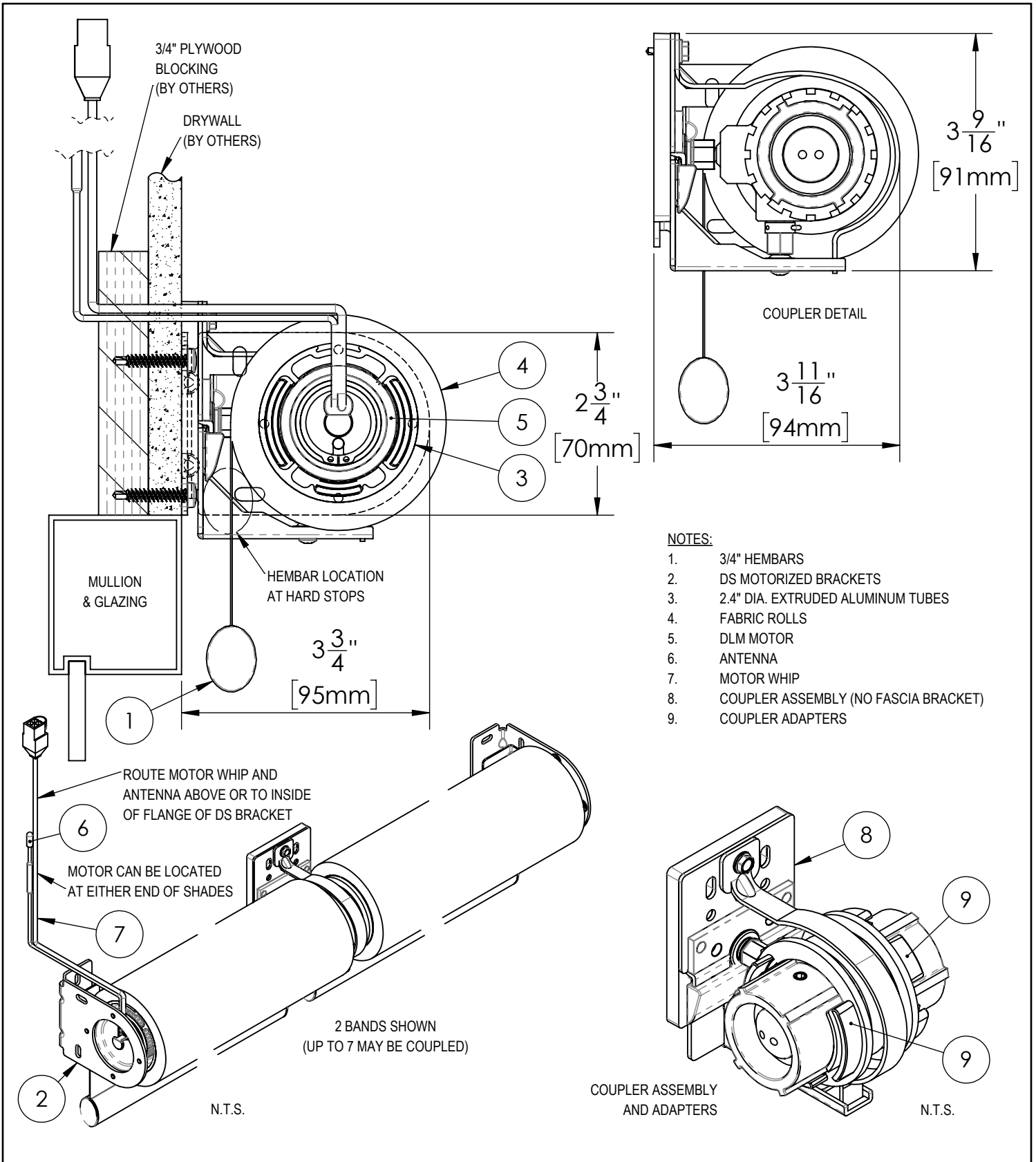
1:2

FILE No.

-

DWG. No.

RLR-DS-2-MO-D-C-S-B



Shading Systems

Phone: 1-833-456-4291
 Technical Support E-mail:
 shading.cs@legrand.us

**DESIGNER SERIES 3.3" OUTSIDE BACK MOUNT
 COUPLED STANDARD ROLL USING DLM MOTOR**

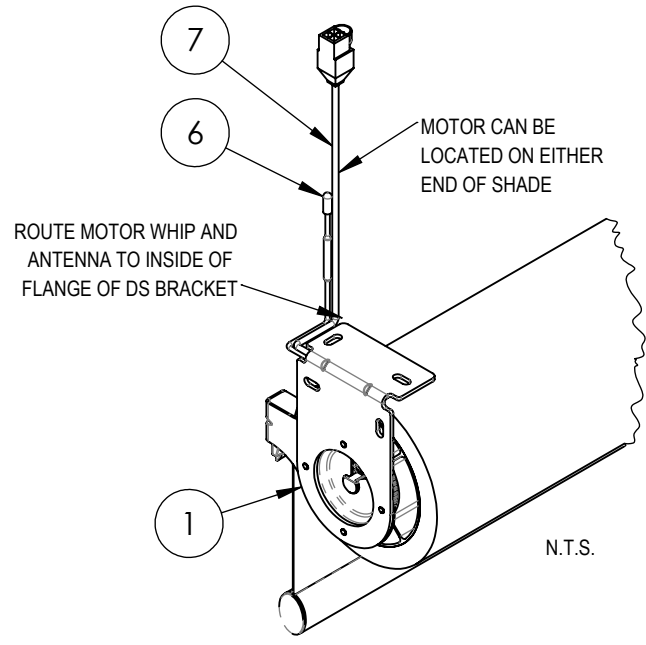
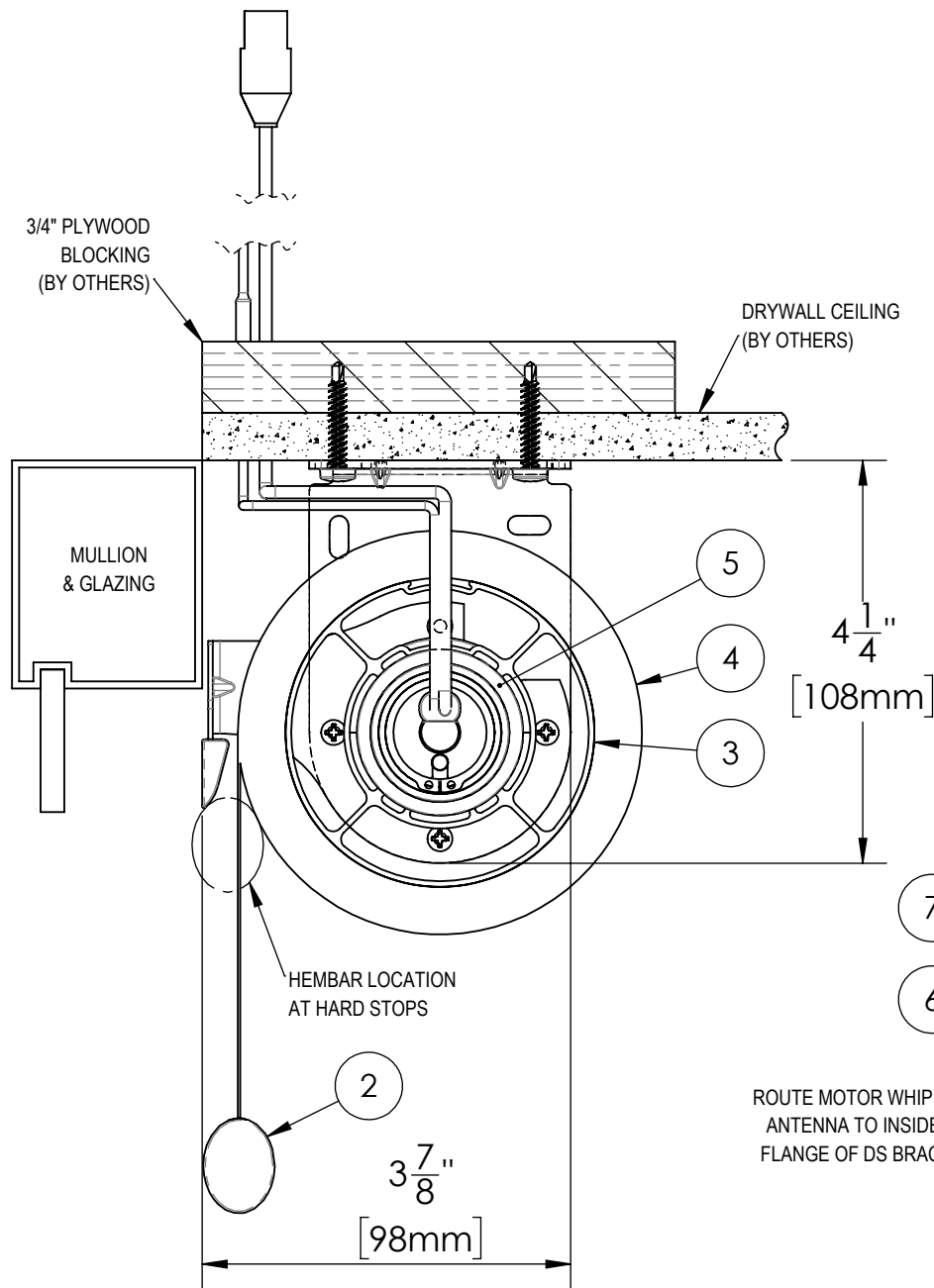
PROJECT: -

DATE: 1/2/2022

SCALE: 1:2

FILE No. -

DWG. No. RLR-DS-2-MO-D-A-S-B



NOTES:

- 1. 4.3" DS MOTORIZED BRACKET
- 2. 3/4" HEMBAR
- 3. 3.25" DIA. EXTRUDED ALUMINUM TUBE
- 4. FABRIC ROLL
- 5. DLM MOTOR
- 6. ANTENNA
- 7. MOTOR WHIP

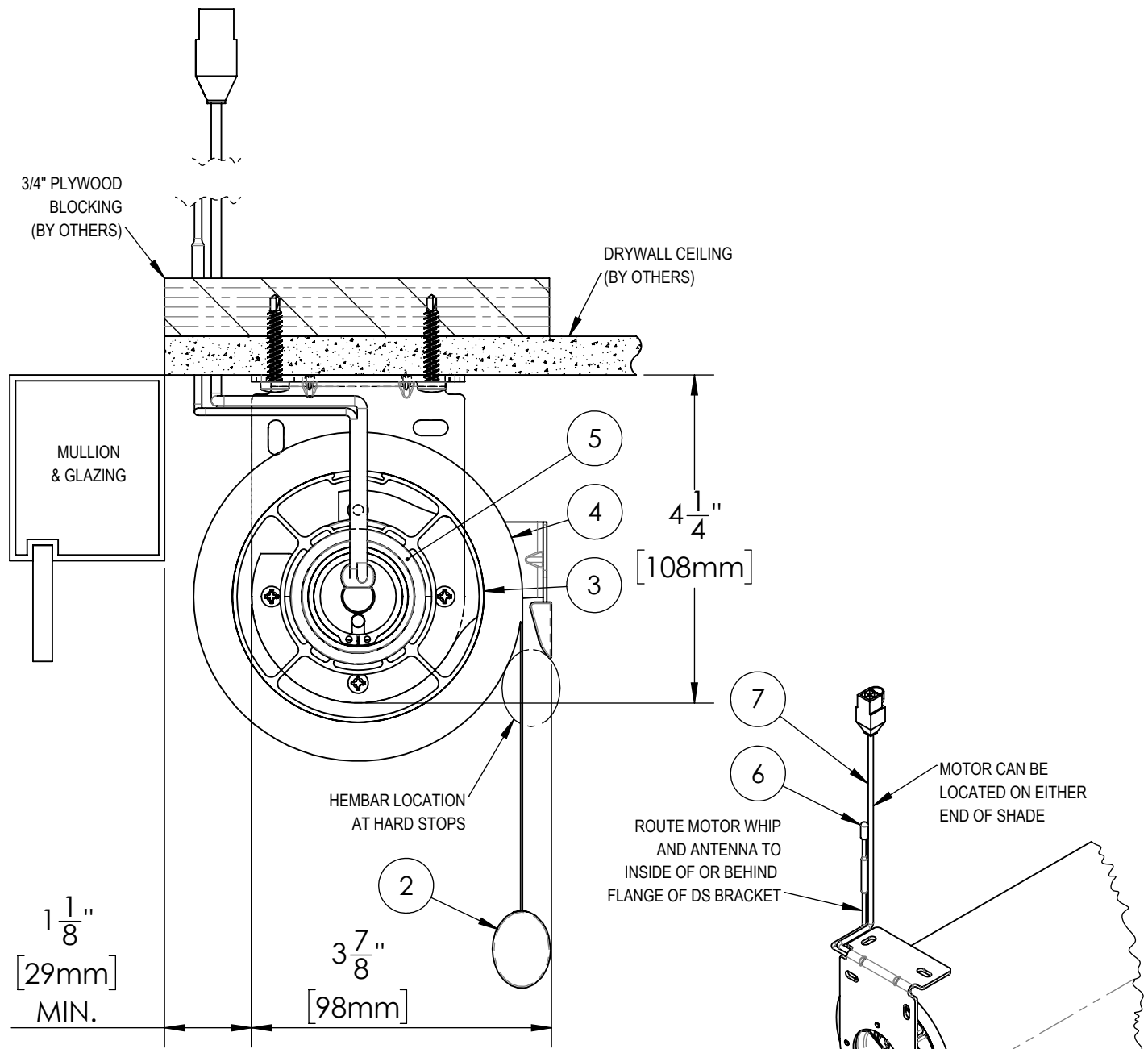


Shading Systems

Phone: 1-833-456-4291
 Technical Support E-mail:
 shading.cs@legrand.us

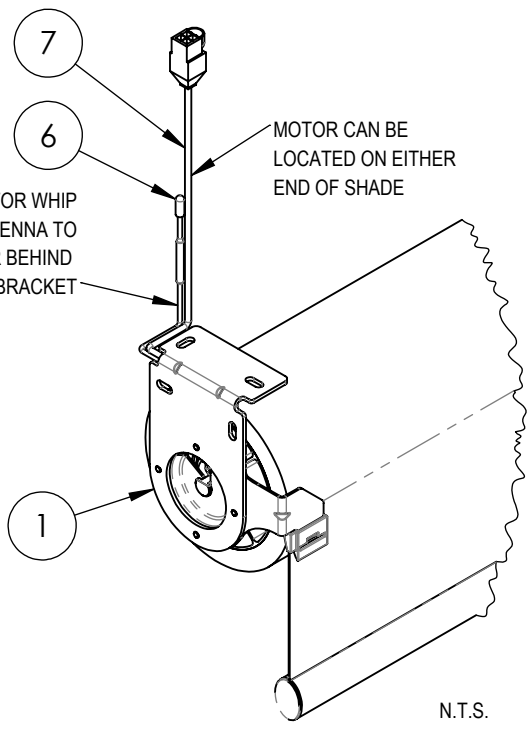
**DESIGNER SERIES 4.3" INSIDE TOP MOUNT
 STANDARD ROLL USING DLM MOTOR**

PROJECT: -			
DATE: 12/26/2021	SCALE: 1:2	FILE No. -	DWG. No. RLR-DS-3-MO-D-C-S



NOTES:

- 1. 4.3" DS MOTORIZED BRACKET
- 2. 3/4" HEMBAR
- 3. 3.25" DIA. EXTRUDED ALUMINUM TUBE
- 4. FABRIC ROLL
- 5. DLM MOTOR
- 6. ANTENNA
- 7. MOTOR WHIP

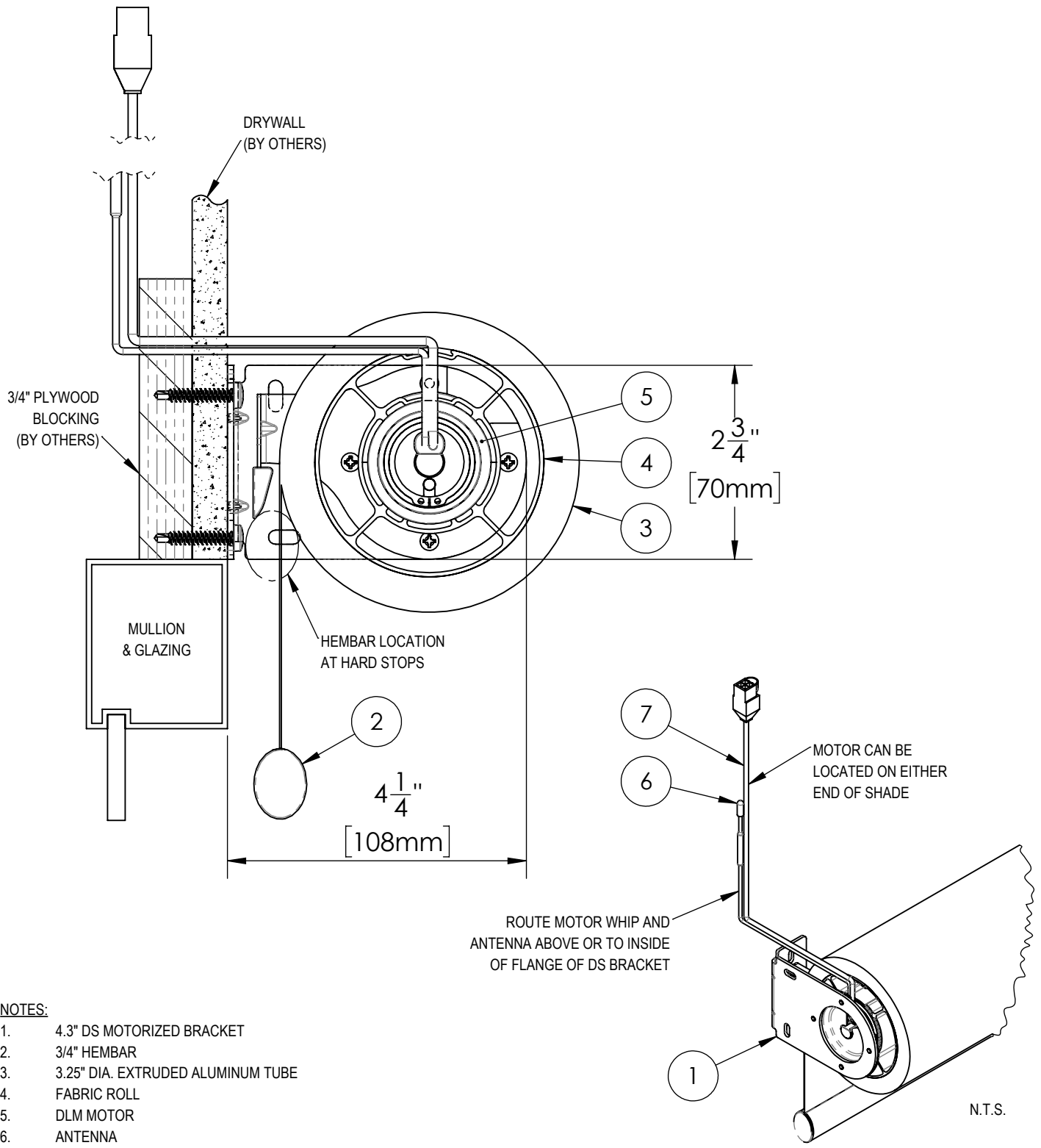


Shading Systems

Phone: 1-833-456-4291
 Technical Support E-mail:
 shading.cs@legrand.us

**DESIGNER SERIES 4.3" INSIDE TOP MOUNT
 REVERSE ROLL USING DLM MOTOR**

PROJECT: -			
DATE: 12/26/2021	SCALE: 1:2	FILE No. -	DWG. No. RLR-DS-3-MO-D-C-R



NOTES:

1. 4.3" DS MOTORIZED BRACKET
2. 3/4" HEMBAR
3. 3.25" DIA. EXTRUDED ALUMINUM TUBE
4. FABRIC ROLL
5. DLM MOTOR
6. ANTENNA
7. MOTOR WHIP



Shading Systems

Phone: 1-833-456-4291
 Technical Support E-mail:
 shading.cs@legrand.us

**DESIGNER SERIES 4.3" OUTSIDE BACK MOUNT
 STANDARD ROLL USING DLM MOTOR**

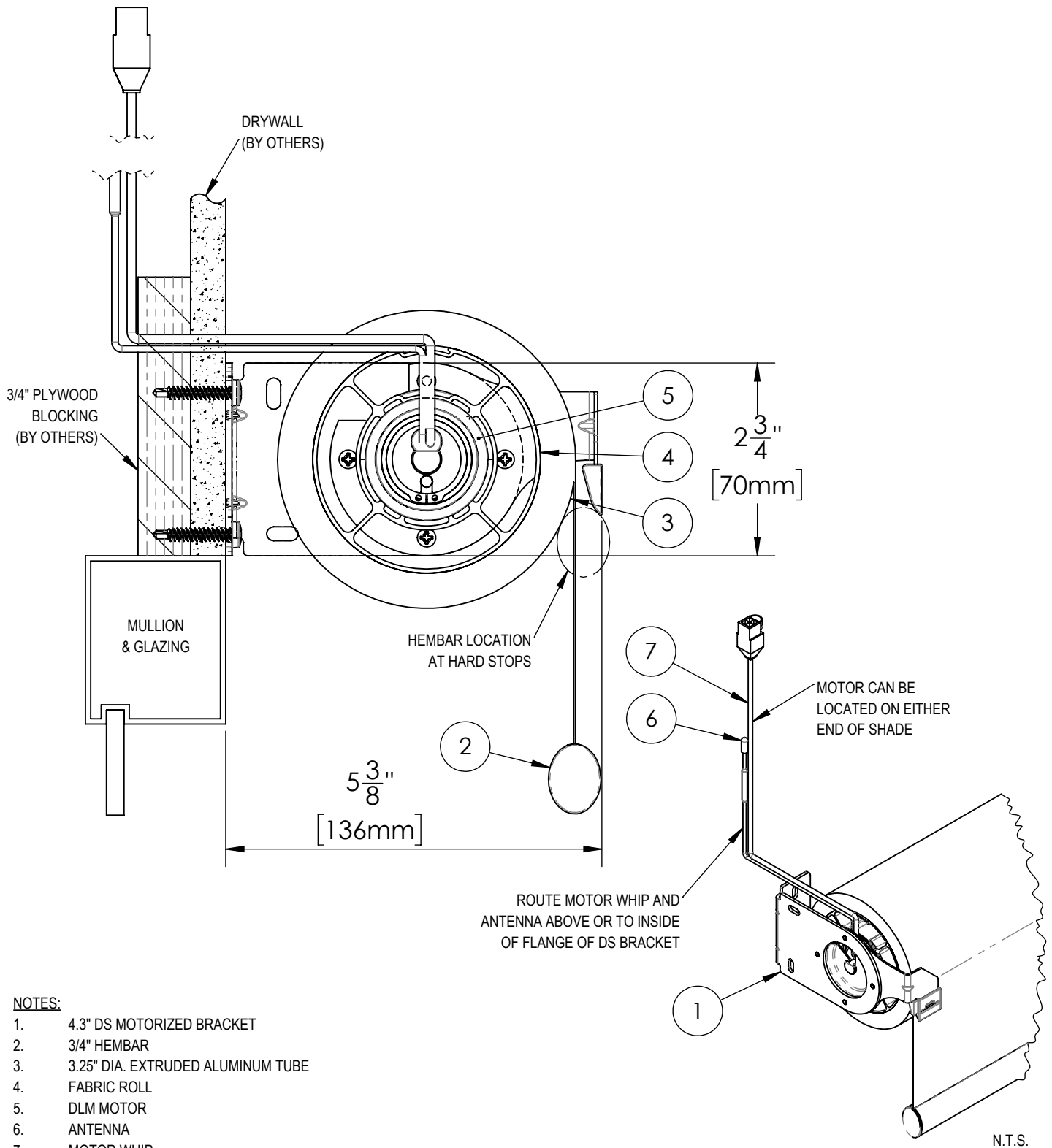
PROJECT: -

DATE: 12/26/2021

SCALE: 1:2

FILE No. -

DWG. No. RLR-DS-3-MO-D-A-S



NOTES:

- 1. 4.3" DS MOTORIZED BRACKET
- 2. 3/4" HEMBAR
- 3. 3.25" DIA. EXTRUDED ALUMINUM TUBE
- 4. FABRIC ROLL
- 5. DLM MOTOR
- 6. ANTENNA
- 7. MOTOR WHIP



Shading Systems

Phone: 1-833-456-4291
 Technical Support E-mail:
 shading.cs@legrand.us

**DESIGNER SERIES 4.3" OUTSIDE BACK MOUNT
 REVERSE ROLL USING DLM MOTOR**

PROJECT: -			
DATE: 12/27/2021	SCALE: 1:2	FILE No. -	DWG. No. RLR-DS-3-MO-D-A-R