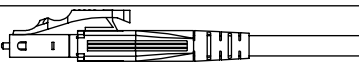



- NOTES:
- ALL CABLE ASSEMBLIES DESCRIBED BY THIS DOCUMENT SHALL BE IN ACCORDANCE WITH PERFORMANCE SPECIFICATION 71800079C, AND SHALL MEET OR EXCEED THE TIER LEVELS SPECIFICATIONS SHOWN IN TABLE 1.
 - THE NOTATION "LLL" WITHIN THE PART NUMBER SHALL IDENTIFY THE OVERALL LENGTH FROM FERRULE TIP TO FERRULE TIP AS SHOWN. THE UNITS OF MEASURE ARE INDICATED BY THE CHARACTER POSITION IMMEDIATELY FOLLOWING THE "LLL" PORTION OF THE PART NUMBER (I.E. M=METERS, F=FEET). LENGTH TOLERANCE IS:
 - ≤1FT = -0/+1IN
 - >1FT ≤5FT = -0/+2IN
 - >5FT ≤10FT = -0/+4IN
 - >10FT ≤25FT = -0/+6IN
 - >25FT = -0/+5%
 - CONNECTOR PAIRS AT END A & END B SHALL BE IDENTIFIED BY CHARACTER POSITIONS "BBCC" IN THE PART NUMBER; WHERE "BB" IS CONNECTOR PAIR AT END A, AND "CC" IS CONNECTOR PAIR AT END B. (SEE TABLE 2 FOR THE CONNECTOR DEFINITION). WHERE "BB" & "CC" ARE UNLIKE, "BBCC" SHALL BE IN NUMERICAL ORDER. SINGLEMODE CONNECTORS SHALL BE UPC AND MULTIMODE CONNECTORS SHALL BE PC. DUST CAPS SHALL BE PROVIDED INSTALLED.
 - CABLE CROSS OVER SHALL BE AS FOLLOWS (SEE SHEET 2); A-A CORD.
 - EACH CABLE SHALL BE IDENTIFIED WITH DATE OF MANUFACTURE, FIBER CORE DIAMETER/CLADDING DIAMETER, LOT NUMBER, AND SEQUENTIAL LENGTH MARKINGS. FOR PLENUM OFNP SHALL BE MARKED ON THE CABLE.
 - SINGLEMODE CORDS SHALL BE YELLOW AND MULTIMODE CORDS SHALL BE AQUA.
 - EACH CABLE ASSEMBLY SHALL BE IDENTIFIED WITH A PART NUMBER, A 4 DIGIT MANUFACTURE DATE CODE (WWYY=WEEK YEAR), LOCATION CODE (XX), AND SERIAL NUMBER.

TIER "A"	TIER	OPTION "T"	OPTION
1	CORE	0	NO TEST RESULTS
3	ULTRA	1	TEST RESULTS

CONN DEFINITION "BB" OR "CC"	CONN OUTLINE	STYLE	INTERMATEABILITY
80		R-LC (DUPLEX) REF	TIA/EIA-604-10
2J		MDC	-

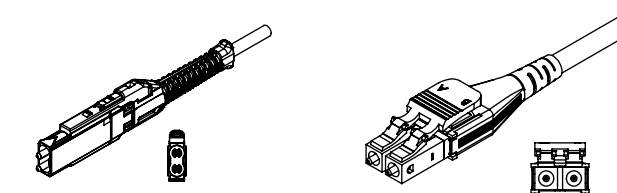
POLARITY "P"	CABLE CONSTRUCTION
A	DUPLEX JUMPER A-A

CABLE DIAMETER "D"	CABLE DIAMETER
2	2.0mm

FIBER TYPE "E"	FIBER TYPE
E	OM4 50µm BI, 4700/500
J	OS2 BI (ITU-T G.657.A1)

CABLE COLOR "F"	CABLE COLOR
A	AQUA
Y	YELLOW

CABLE TYPE "G"	CABLE MATERIAL	FIGURES
B	PLENUM (OFNP) DUPLEX DFX 2F	1 & 2

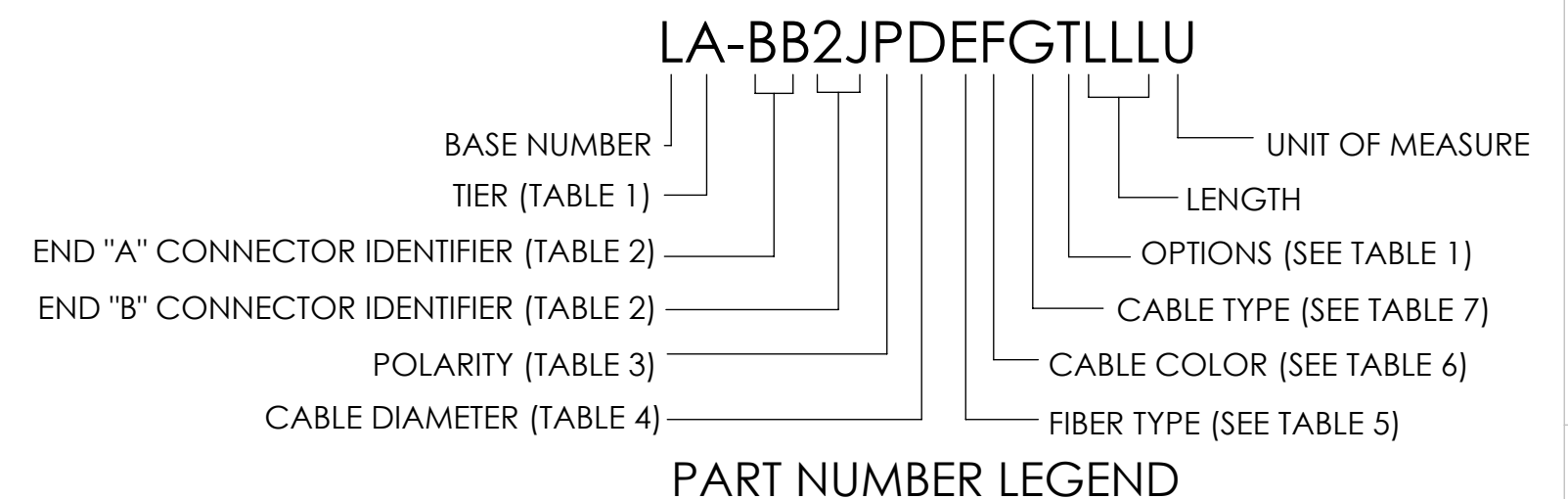


Connector	OS2 Single-mode	OM4 Multimode, 50µm
LC	White	White
MDC	Black	Black

Connector	OS2 Single-mode	OM4 Multimode, 50µm
LC	Blue	Aqua
MDC	Blue	Aqua

Connector	OS2 Single-mode	OM4 Multimode, 50µm
All Connectors	Yellow	Aqua

Fiber Class	OS2 Single-mode	OM4 Multimode, 50µm
Primary Supplier	-	-
Fiber Brand	-	-
IEC 60793-2-50 / 60793-2-10 Type	B-652.D B-657.A1	A1-OM4b
TIA Compliance	492CAAC (Formerly 492CAAB)	492AAAF (Formerly 492AAAD)
ISO/IEC 11801-1 Cabled Fiber Performance Category	OS2	OM4
ITU-T Compliance	G.652.D G.657.A1	G.651.1
Effective Modal Bandwidth-Length Product at 850nm	-	≥4700 MHz-km



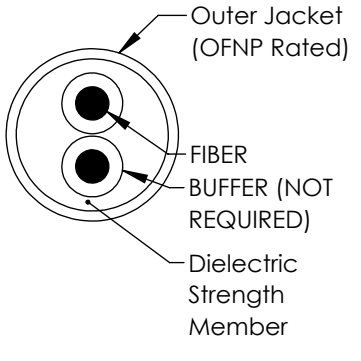
*** NOTICE ***
THIS DOCUMENT CONTAINS CONFIDENTIAL AND/OR PROPRIETARY INFORMATION INTENDED FOR USE ONLY BY THE INDIVIDUAL(S) PROVIDED. NEITHER THIS DOCUMENT, NOR ANY INFORMATION CONTAINED HEREIN, MAY BE COPIED, DISTRIBUTED, DISCLOSED TO ANY THIRD PARTY OR USED IN ANY MANNER OTHER THAN FOR WHICH IT HAS BEEN PROVIDED, WITHOUT THE PRIOR WRITTEN CONSENT OF LEGRAND INC. MANUFACTURING RELEASE. PRODUCT SPECIFICATIONS AND STANDARDS ARE SUBJECT TO CHANGE WITHOUT NOTICE.

legrand® WWW.LEGRAND.US

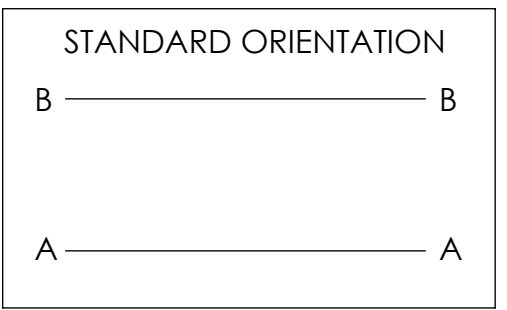
TITLE
FIBER CORD ASSY, L-SERIES, MDC

NAME	DATE	SIZE	CAD FILE	DWG NO	REV
DWN	RJG	7/20/2021	C	LABB2JPDEFGTLLLU	01
CHK	AR	7/21/2021	SCALE	1:1	SHEET
APPR	RH	7/22/2021			1 OF 2

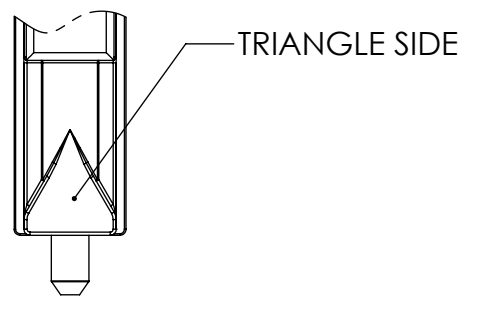
8 7 6 5 4 3 2 1



Duplex Round



STANDARD ORIENTATION



MDC TOP VIEW

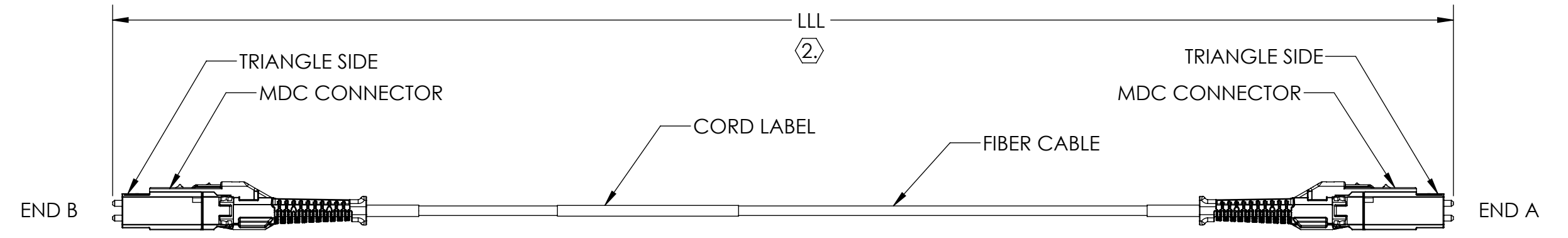
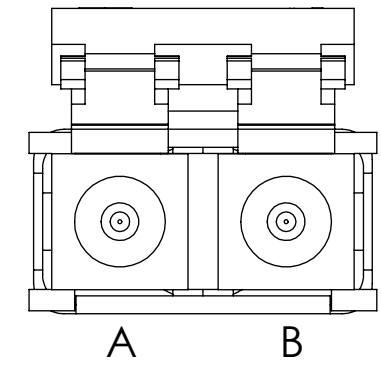
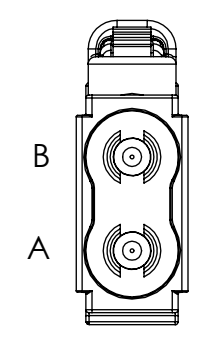


Figure 1 - MDC - MDC Duplex Assembly

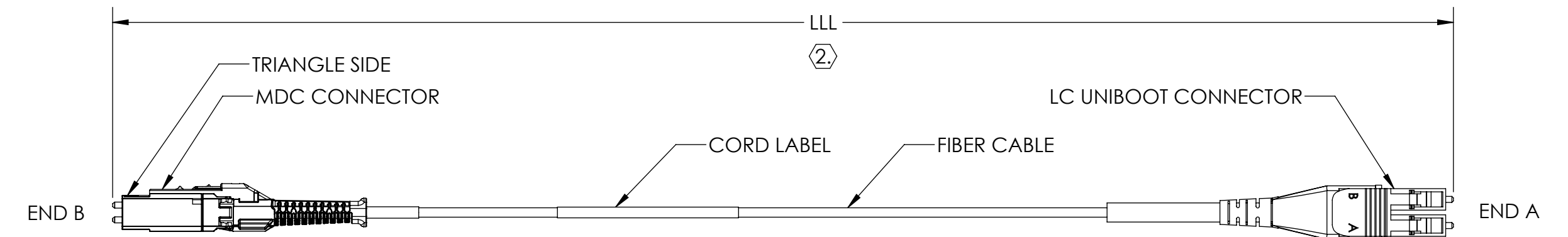


Figure 2 - LC - MDC Duplex Assembly

8 7 6 5 4 3 2 1