



LightSaver® LS-290C Photosensor

Photosensor for
LightSaver LCD-203 and
LCO-203 Controllers

Footcandle range
from 3 - 6000



Mounts vertically or
horizontally

Architecturally attractive
design

PROJECT
LOCATION/TYPE

Product Overview

Description

WattStopper's LightSaver LS-290C open loop Photosensor provides the daylight data necessary for operation of the LCD-203 and LCO-203 day-lighting control systems.

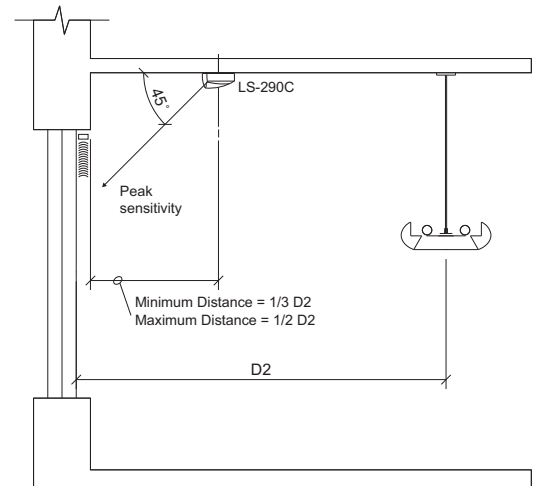
Operation

Utilizing a photodiode element, the LS-290C continuously measures ambient light levels. The Photosensor is positioned to 'see' incoming daylight from either a window or skylight without seeing electrical light. Users select the applicable footcandle range by a jumper beneath the front cover.

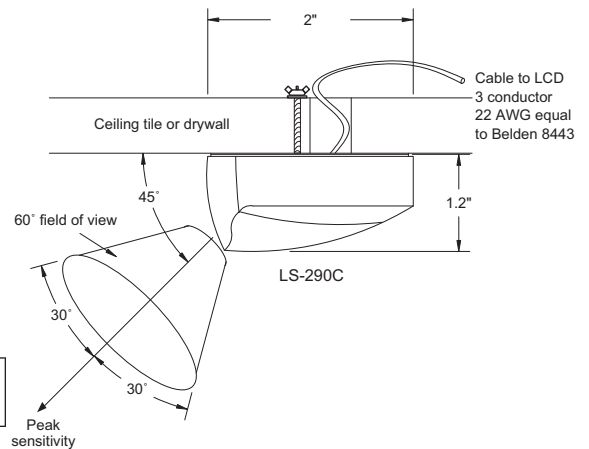
Specifications

- Three jumper-selectable footcandle ranges: 3-300 fc, 30-3000 fc, 60-6000 fc
- Low voltage, Class 2 device
- Protective hard plastic cover
- 3 conductor 22 AWG twisted cable equal to Belden 8443
- Maximum wire length is 250 feet (76.2m)
- Dimensions: 2" diameter x 1.2" deep (50.8mm diameter x 30.5mm deep)
- UL and CUL listed
- Five year warranty

Photosensor Placement



Installation and Wiring



Ordering Information

Catalog No.	Description	Footcandle range
<input type="checkbox"/> LS-290C	Open Loop Photosensor	3 - 6000 (32 - 64,000 lux)

Qualifies for use on ARRA-funded public works projects.